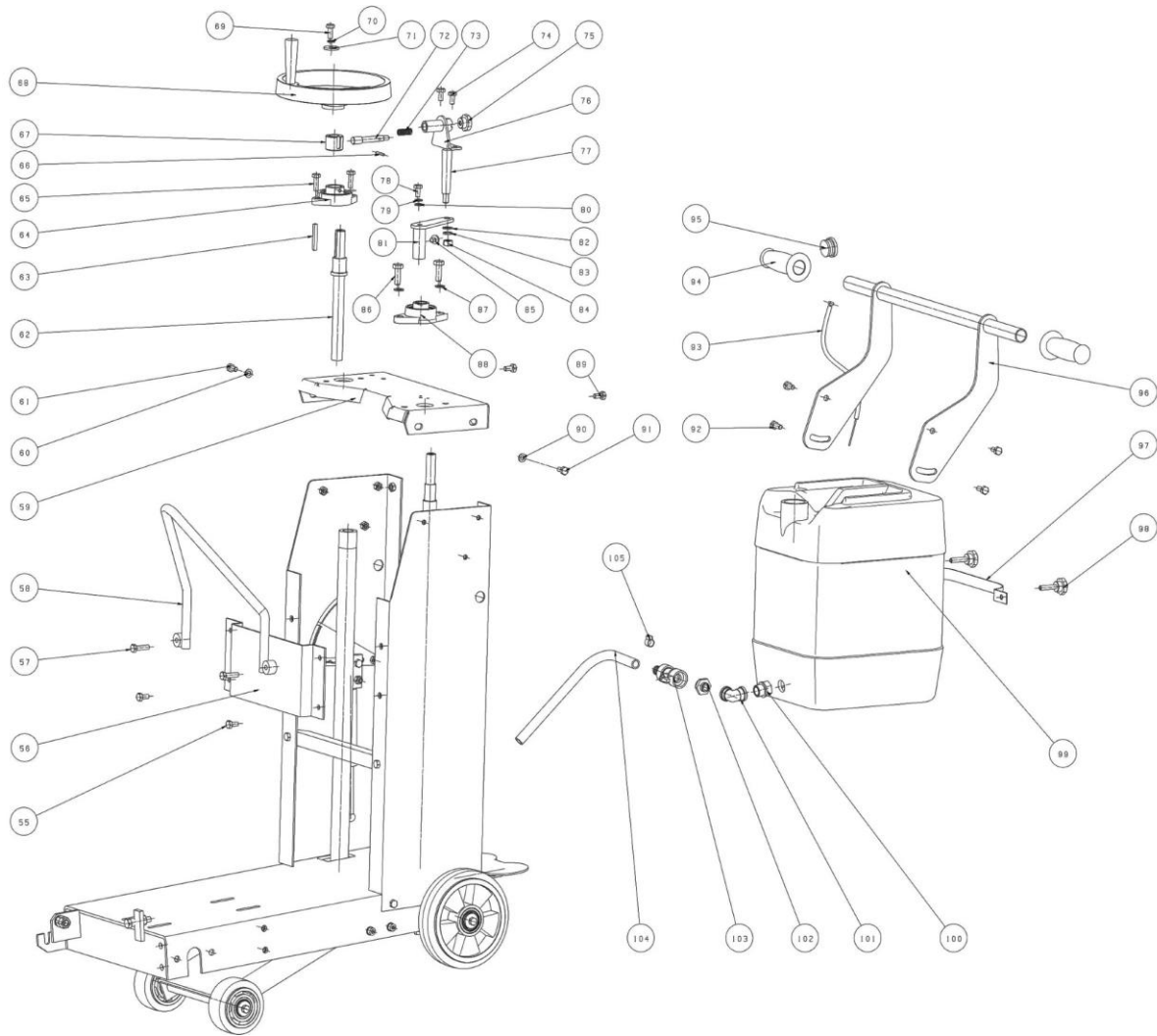


CUT 450, CUT 500, CUT 600 - PARTS LIST #1

ITEM	PART NO.	DESCRIPTION	QTY
1	450F001	BELT GUARD	1
2	450F002	BOLT M8X16	1
3	450F003	BOLT M8X16	1
4	450F004	BOLT M8X16	2
5	450F005	HEX BOLT M10X20	1
6	450F006	SPRING WASHER 10	1
7	450F007	WASHER 10X38X5	1
8	450F008	PULLEY	1
9	450F009	KEY 8 X 50	1
10	450F010	INSIDE HEX BOLT M10X35	2
11	450F011	WASHER 10	2
12	450F012	BEARING LF205	1
13	450F013	WASHER 10	2
14	450F014	SPRING WASHER 10	2
15	450F015	NUT 10	2
16	450F016	REAR AXIS	1
17	450F017	NUT 10	2
18	450F018	NUT 10	2
19	450F019	WASHER 10	2
20	450F020	BEARING LF205	1

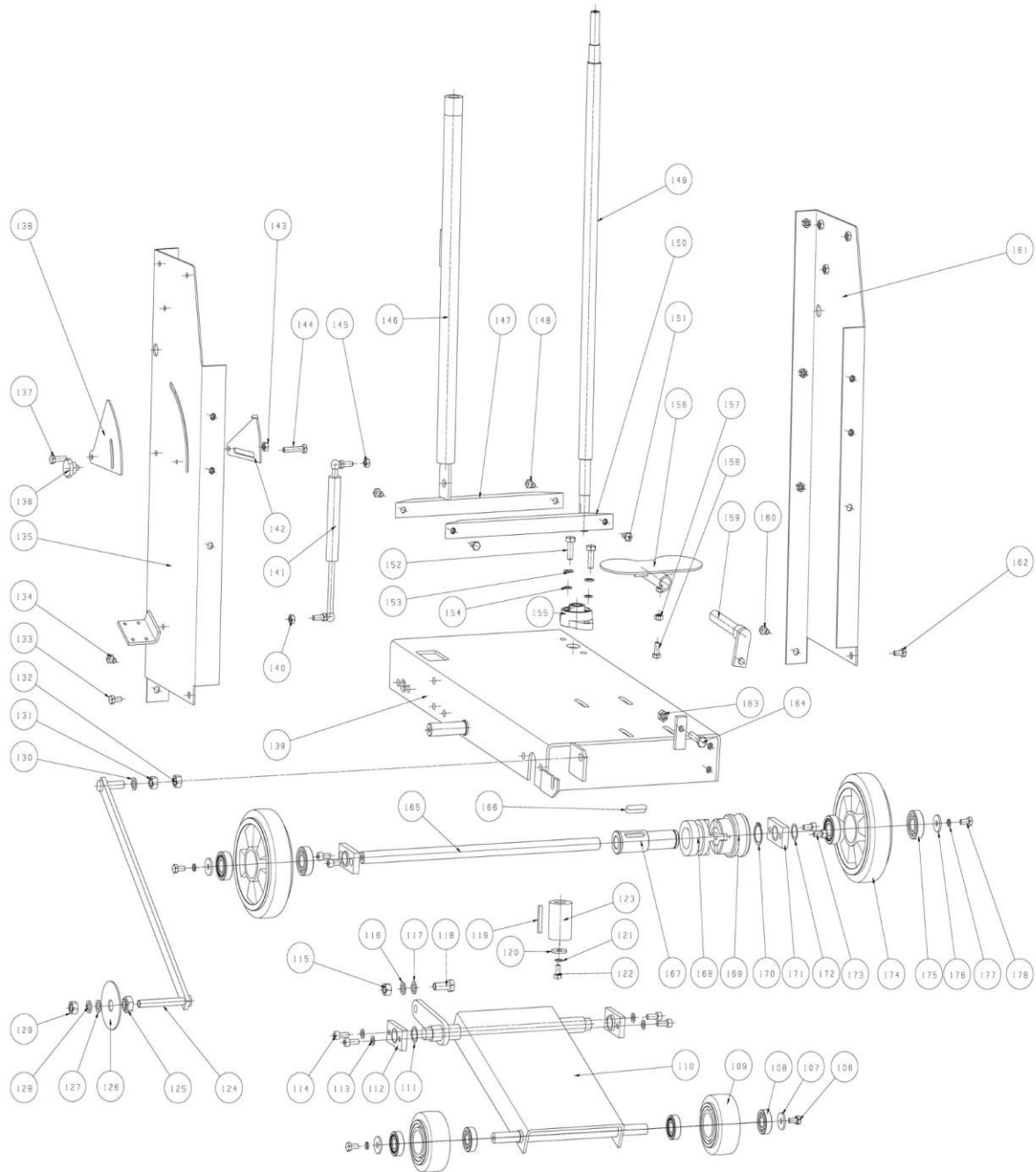
21	450F021	WASHER 10	2
22	450F022	INSIDE HEX BOLT M10X35	2
23	450F023	BLADE FLANGE (INNER)	1
24	450F024	KEY 5 X 18	1
25	450F025	PIN \varnothing 10X35	1
26	450F026	LASER WELDING DIAMOND BLADE	1
27	450F027	BLADE FLANGE (OUTER)	1
28	450F028	WASHER 12x32	1
29	450F029	SPRING WASHER 12	1
30	450F030	BOLT M8X16	1
31	450F031	HEX BOLT M12X25	1
32	450F032		
33	450F033		
34	450F034	HEX NUT M8	2
35	450F035	WASHER 8	2
36	450F036	PROTECTIVE MAT	1
37	450F037	WASHER 10x32	1
38	450F038	SPRING WASHER 10	1
39	450F039	HEX BOLT M10X20	1
40	450F040	WASHER 8	2
41	450F041	HEX BOLT M8X25	2
42	450F042	BLADE GUARD	1
43	450F043	ENGINE	1
44	450F044	PULLEY FOR ENGINE	1
45	450F045	WASHER 10 OR 8	1
46	450F046	KEY 5 X 18	1
47	450F047	SPRING WASHER 10 or 8	1
48	450F048	BOLT M10 OR M8	1
49	450F049	BELT 10PK600	1
50	450F050	BOLT M10	4
51	450F051	SPRING WASHER 10	4
52	450F052	WASHER 10	4
53	450F053	WASHER 10x28	4
54	450F054	HEX BOLT M10X45	4



CUT 450, CUT 500, CUT 600 - PARTS LIST #2

ITEM NO.	PART NO.	DESCRIPTION	QTY
102	450F102	STUD BOLT 4 TO 6	1
100	450F100	STUD BOLT WITH COMPOUND GASKET 4	1
101	450F101	INSIDE ANGLE FITTING 4	1
88	450F088	BEARING FL204 (only semi-automatic)	1
64	450F064	BEARING LF205	1
77	450F077	HANDLE GRIP M10 (only semi-automatic)	1
83	450F083	SPRING WASHER 10 (only semi-automatic)	1
82	450F082	WASHER 10 (only semi-automatic)	1
87	450F087	WASHER 10 (only semi-automatic)	1
66	450F066	PIN ϕ 4	1
71	450F071	WASHER 8x32	1
70	450F070	SPRING WASHER 8	1
79	450F079	SPRING WASHER 8 (only semi-automatic)	1
60	450F060	WASHER 8	1
80	450F080	WASHER 8 (only semi-automatic)	1
90	450F090	WASHER 8	1
105	450F105	ANCHOR EAR	2

55	450F055	BOLT M8X16	2
61	450F061	BOLT M8X16	1
74	450F074	BOLT M8X16	2
89	450F089	BOLT M8X16	2
91	450F091	BOLT M8X16	1
65	450F065	BOLT M8X25	2
92	450F092	BOLT M8X25	4
57	450F057	BOLT M8X35	2
58	450F058	LIFTING HOOK	1
72	450F072	LOCATING PIN	1
76	450F076	POSITION BRACKET	1
94	450F094	RUBBER HANDLE	2
103	450F103	QUICK JOINT	1
84	450F084	NUT 10 (only semi-automatic)	1
78	450F078	BOLT M8X20 (only semi-automatic)	1
68	450F068	WHEEL HANDLE	1
75	450F075	PLUM NUT M8	1
98	450F098	PLUM BOLT M8X35	2
63	450F063	KEY 6 X 40	1
67	450F067	SHAFT SLEEVE	1
62	450F062	SCREW ARBOR	1
96	450F096	HANDLE	1
104	450F104	WATERPIPE	1
99	450F099	WATER TANK	1
97	450F097	WATER TANK CLAMP	1
59	450F059	PANEL BOARD	1
56	450F056	FRONT PANEL BOARD	1
86	450F086	HEX BOLT M10X25 (only semi-automatic)	2
69	450F069	HEX BOLT M8X25	1
73	450F073	SPRING	1
95	450F095	THROTTLE CONTROL	1
93	450F093	CABLE	1
85	450F085	BOLT M8X10 (only semi-automatic)	1
81	450F081	TURN HANDLE (only semi-automatic)	1



CUT 450, CUT 500, CUT 600 - PARTS LIST #3

ITEM NO.	PART NO.	DESCRIPTION	QTY
155	450F155	BEARING FL204 (only semi-automatic)	1
153	450F153	SPRING WASHER 10 (only semi-automatic)	2
154	450F154	WASHER 10 (only semi-automatic)	2
128	450F128	SPRING WASHER 12	1
116	450F116	WASHER 12	1
117	450F117	WASHER 12	1
127	450F127	WASHER 12	1
130	450F130	WASHER 12	2
112	450F112	BEARING BLOCK A	2
171	450F171	BEARING BLOCK B	2
120	450F120	WASHER 8x30 (only semi-automatic)	1
107	450F107	WASHER 8x32	2
176	450F176	WASHER 8x32	2

121	450F121	SPRING WASHER 8 (only semi-automatic)	1
177	450F177	SPRING WASHER 8	2
113	450F113	WASHER 8	4
159	450F159	PLUG (only semi-automatic)	1
111	450F111	CORRUGATED GASKET 20	1
172	450F172	CORRUGATED GASKET 20	1
139	450F139	BIG BASE PLATE	1
133	450F133	BOLT M8X16	1
134	450F134	BOLT M8X16	1
148	450F148	BOLT M8X16	2
151	450F151	BOLT M8X16	2
160	450F160	BOLT M8X16	1
162	450F162	BOLT M8X16	1
170	450F170	RETAINER RING 30 (only semi-automatic)	1
124	450F124	POINTER	1
125	450F125	NUT 12	1
126	450F126	POINTER WHEEL	1
110	450F110	BASE PLATE	1
140	450F140	LOCKNUT M8	1
174	450F174	REAR WHEEL	2
165	450F165	REAR AXIS	1
168	450F168	WORM (only semi-automatic)	1
163	450F163	NUT 10	1
115	450F115	NUT 12	1
129	450F129	NUT 12	1
131	450F131	NUT 12	1
132	450F132	NUT 12	1
143	450F143	NUT 8	1
145	450F145	NUT 8	1
157	450F157	NUT 8 (only semi-automatic)	1
136	450F136	PLUM BOLT ϕ 32XM8X8	1
114	450F114	INSIDE HEX BOLT M8X20	4
173	450F173	INSIDE HEX BOLT M8X20	4
119	450F119	KEY 6 X 50 (only semi-automatic)	1
166	450F166	KEY 8 X 20 (only semi-automatic)	1
141	450F141		1
109	450F109	FRONT WHEEL	2
146	450F146	CONNECTING STEM	1
138	450F138	SCALE	1
161	450F161	SIDE PLATE A	1
135	450F135	SIDE PLATE B	1
147	450F147	REAR PLATE	1
150	450F150	FRONT PLATE	1
156	450F156	PEDAL (only semi-automatic)	1
152	450F152	HEX BOLT M10X35 (only semi-automatic)	2
164	450F164	HEX BOLT M10X70	1
118	450F118	HEX BOLT M12X35	1
106	450F106	HEX BOLT M8X20	2

122	450F122	HEX BOLT M8X20 (only semi-automatic)	1
158	450F158	HEX BOLT M8X20 (only semi-automatic)	1
178	450F178	HEX BOLT M8X20	2
137	450F137	HEX BOLT M8X35	1
144	450F144	HEX BOLT M8X45	1
169	450F169	WORM (only semi-automatic)	1
167	450F167	SLEEVE, WORM (only semi-automatic)	1
123	450F123	ENDLESS SCREW (only semi-automatic)	1
142	450F142	POINTER	1
108	450F108	BEARING 6203	4
175	450F175	BEARING 6204	4
149	450F149	MAIN SHAFT (only semi-automatic)	1