



MASALTA®



PARTS LIST

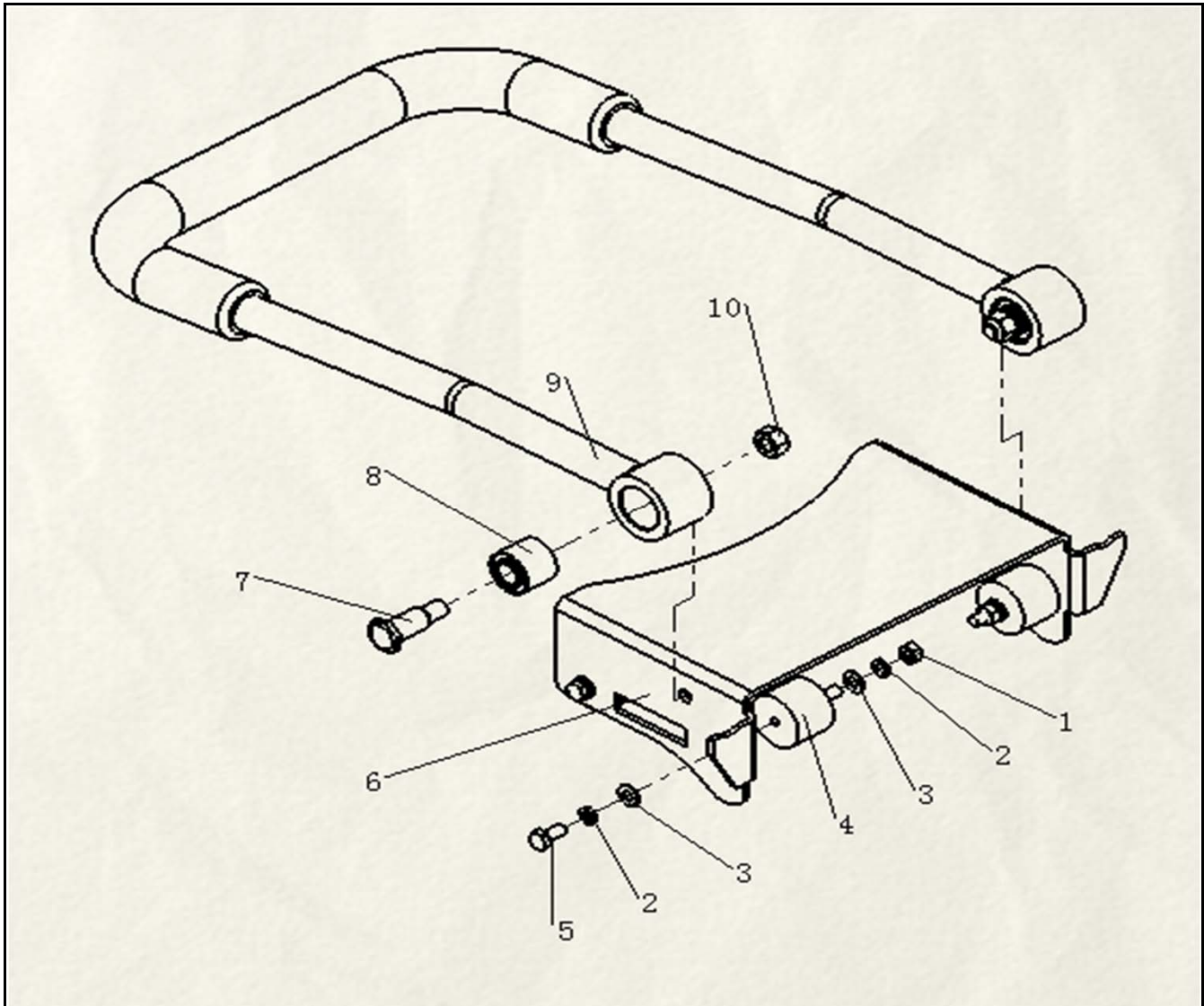
PLATE COMPACTOR

MSV80



**PARTS LIST 1
MSV80 SERIES**

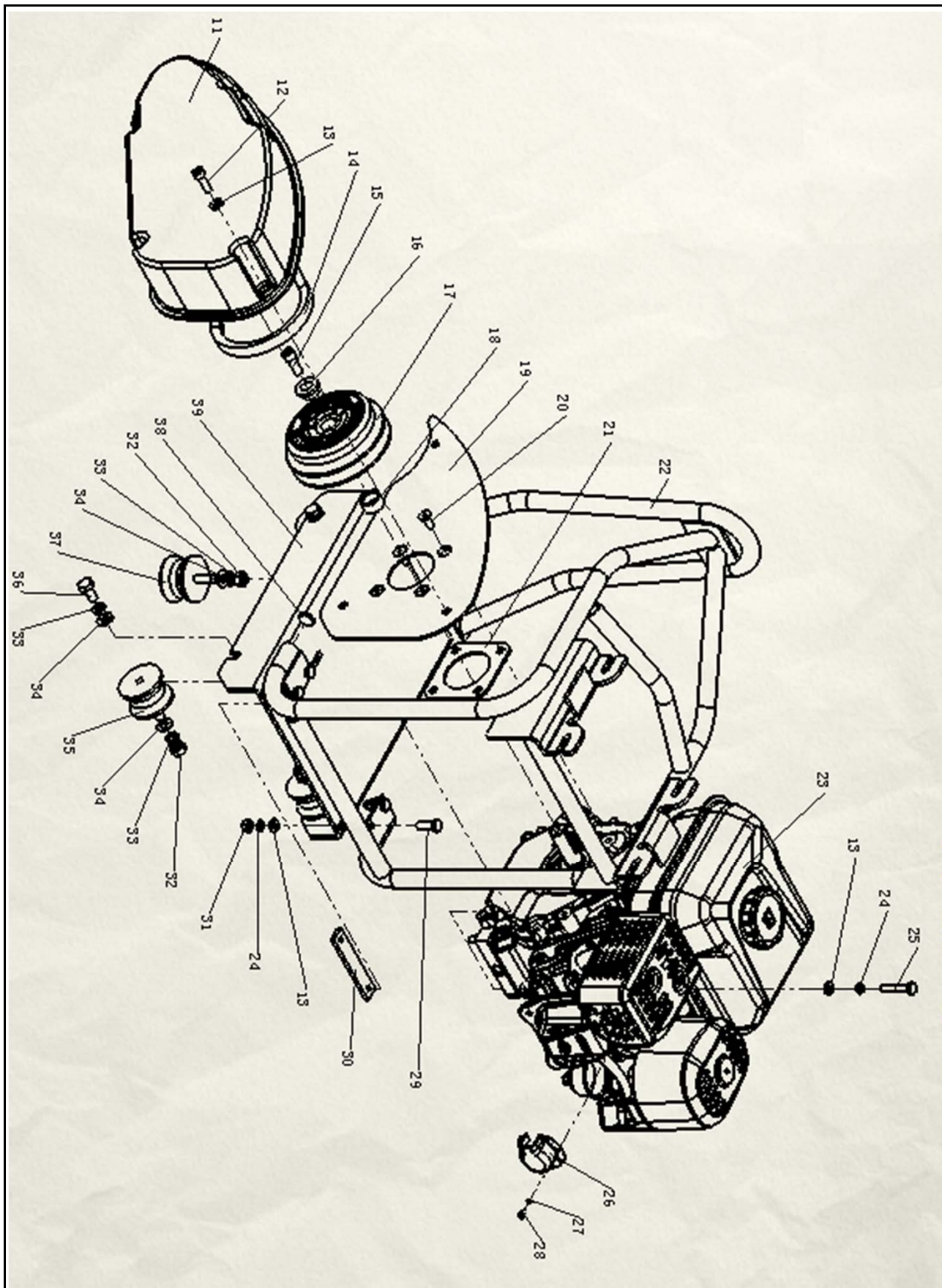
HANDLE ASSY.



ITEM NO.	PART NO.	DESCRIPTION	ERP NO.	QTY	REMARK
1	GB6170-M8	HEX NUT M8	20401004	4	
2	GB93-8	SPRING WASHER 8	20509006	8	
3	GB97.1-8	FLAT WASHER 8	20501007	8	
4	PCL4015.00.02	HANDLE SHOCK MOUNT	41201101	4	
5	GB5871-M8x16	HEX HEAD BOLT M8X16	20102116	4	
6	PCL4015.00.06	HANDLE MOUNTING PLATE	40205009	1	
7	PCL4015.00.01	BOLT, HANDLE	40401039	2	
8	PCL4015.00.05	BUSH, HANDLE	41201104	2	
9	PCL4015.06.00	HANDLE	40305075	1	
10	GB6170-M12	HEX NUT M12	20401009	2	

PARTS LIST 2 MSV80 SERIES

GENERAL

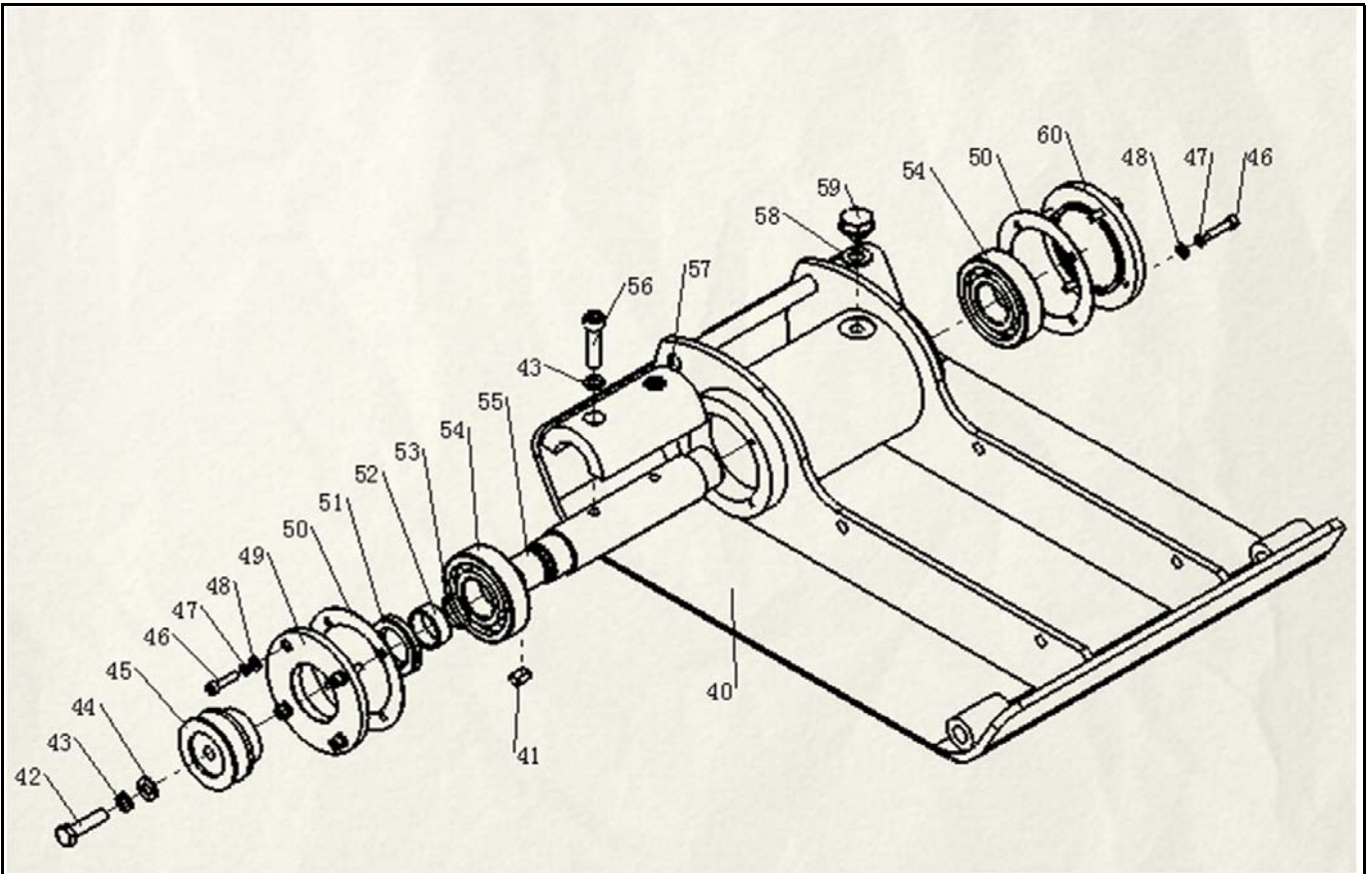


PARTS LIST 2
MSV80 SERIES

ITEM NO.	PART NO.	DESCRIPTION	ERP NO.	QTY	REMARK
11	PCL4015.00.08	BELT COVER	41205053	1	
12	GB70.1-M8X25	HEX SOCKET BOLT M8X25	20306103	3	
13	GB97.1-8	FLAT WASHER 8	20501007	12	
14	XPA757	BELT XPA757	21201017	1	
15	5/16"- 24UNF*1"ANSIB18.3	HEX SOCKET CAP SCREW, AMERICAN SYSTEM	20109008	1	AXLE ENGINE, IMPERIAL
	GB70.1-M8X25	SCREW- SOCKET HEAD M8X25	20306103	1	AXLE ENGINE, METRIC
16	PCL4015.00.11YZ	FIXING SLEEVE, IMPERIAL	40504111	1	AXLE ENGINE, IMPERIAL
	PCL4015.00.11GZ	FIXING SLEEVE, METRIC	40504112	1	AXLE ENGINE, METRIC
17	PCL4015.12.00YZ	CLUTCH ASSY, IMPERIAL	52102001	1	AXLE ENGINE, IMPERIAL
	PCL4015.12.00GZ	CLUTCH ASSY, METRIC	52101002	1	AXLE ENGINE, METRIC
18	PCL4015.00.10YZ	SHAFT SLEEVE, IMPERIAL	40504109	1	AXLE ENGINE, IMPERIAL
	PCL4015.00.10GZ	BACKBOARD	40504110	1	AXLE ENGINE, METRIC
19	PCL4015.08.00	SHAFT SLEEVE, METRIC	40208057	1	
20	MH6040R.16G-YZ	BOLT 5/16, AMERICAN SYSTEM	20109005	4	AXLE ENGINE, IMPERIAL
	GB70.1-M8X20	SCREW- SOCKET HEAD M8X20	20306102	4	AXLE ENGINE, METRIC
21	PCL4015.00.09	ENGINE BASEPLATE	40206074	1	
22	PCL4015.05.00	PROTECTION BRACKET	40305072	1	
23	GX160U1-QX4	GX160 PETROL ENGINE, IMPERIAL	41401014	1	
	GX160U1-SX4	GX161 PETROL ENGINE, METRIC	41401013	1	
24	GB93-8	SPRING WASHER 8	20509006	10	
25	GB5783-M8x40	HEX BOLT M8X40	20102107	4	
26	MH4012.00.27	EXHAUST VALVE	40503001	1	
27	GB93-4	SPRING WASHER 4	20509001	3	
28	GB818-M4X8	CROSS RECESS PAN HEAD SCREW M4x8	20301001	3	
29	GB5783-M8x25	HEX BOLT M8X25	20102102	6	
30	PCL4015.00.07	ENGINE MOUNTING PLATE	40203227	2	
31	GB6170-M8	HEX NUT M8	20401004	6	
32	GB6170-M10	HEX NUT M10	20401005	5	
33	GB93-10	SPRING WASHER 10	20509008	9	
34	GB97.1-10	FLAT WASHER 10	20501009	9	
35	PCL4015.00.03	SHOCK ABSORBER, ENGINE BASEPLATE	41201102	4	
36	GB5783-M10x20	HEX HEAD BOLT M10X20	20102150	4	
37	PCL4015.00.04	LIMITED BLOCK	41201103	1	
38	466569	SR1560 LIGHT TYPE CIRCLE TUBE PLUG.	41205054	2	
39	PCL4015.03.00	ENGINE BASEPLATE	40207190	1	

PARTS LIST 3
MSV80 SERIES

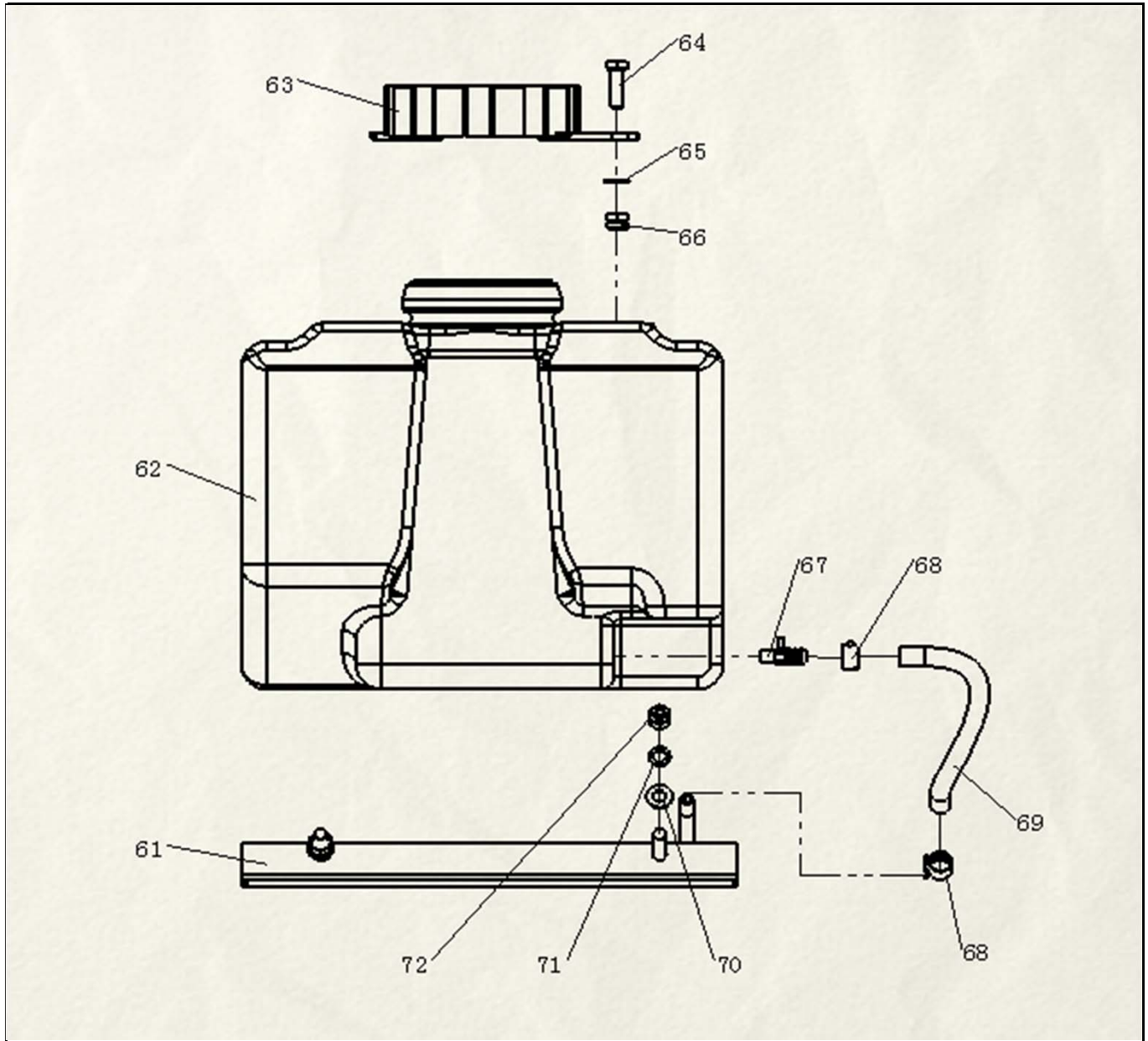
VIBRATION BOX ASSY.



ITEM NO.	PART NO.	DESCRIPTION	ERP NO.	QTY	REMARK
40	PCL4015.01.01	BASEPLATE ASSY.	40803036	1	
41	GB1096-C8x20	GENERAL FLAT KEY, C TYPE 8x20	20901254	1	
42	GB5781-M10X40	HEX HEAD BOLT M10X40	20102172	1	
43	GB93-10	SPRING WASHER 10	20509008	3	
44	GB97.1-10	FLAT WASHER 10	20501009	1	
45	PCL4015.01.03	PULLEY	40607033	1	
46	GB70.1-M6X25	SCREW- SOCKET HEAD M6X25	20306055	8	
47	GB93-6	SPRING WASHER 6	20509004	8	
48	GB97.1-6	FLAT WASHER 6	20501005	8	
49	PCL4015.01.02	END CAP	40503025	1	
50	PCL4015.01.08	WASHER	40504108	2	
51	GB3452.1-52x35x8	SEAL RING 52×35×8	21106006	1	
52	PCL4015.01.10	INNER BEARING	40507040	1	
53	GB3452.1-25.8x2.65	O RING 25.8*2.65	21101351	1	
54	GB276-6307C4	DEEP GROOVE BALL BEARING 6307C4	21001071	2	
55	PCL4015.01.06	EXCITATION SHAFT	40404011	1	
56	GB70.1-M10X40	SCREW- SOCKET HEAD M10X40	20306158	2	
57	PCL4015.01.07	ECCENTRIC BLOCK	40508020	1	
58	JB1002-14	SEAL RING 14	21105004	1	
59	JB4450-M14x1.5	OUTER HEX PLUG	21103002	1	
60	PCL4015.01.04	END CAP	40503026	1	

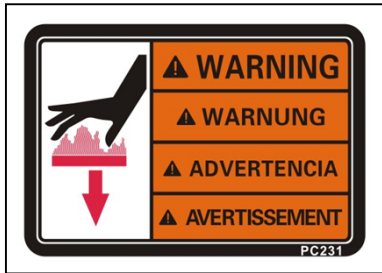
PARTS LIST 4
MSV80 SERIES

WATER TANK ASSY.



ITEM NO.	PART NO.	DESCRIPTION	ERP NO.	QTY	REMARK
62	MH4012-F01-20131020	WATER TANK	41207001	1	
63	MYS70.06.00-02	CAP, WATER TANK	41205013	1	
64	GB5783-M10X30	BOLT M10x30	20102154	1	
65	GB97.1-10	FLAT WASHER 10	20501009	1	
66	GB889-M10	LOCKNUT M10	20405006	1	
67	191402	WATER VALVE	41403010	1	
68	41016	GERMAN-STYLE HOOP	41406008	2	
69	φ15×3	WATER PIPE φ15×3	83101041	1	
70	GB97.1-10	FLAT WASHER 10	20501009	2	
71	GB93-10	SPRING WASHER 10	20509008	2	
72	GB6170-M10	HEXAGON NUT M10	20401005	2	

TABLE LIST MSV80 SERIES



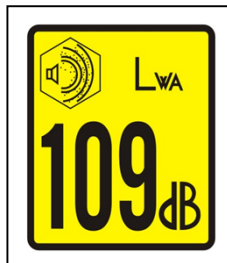
1



3



4



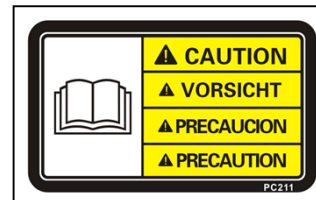
5



6



2

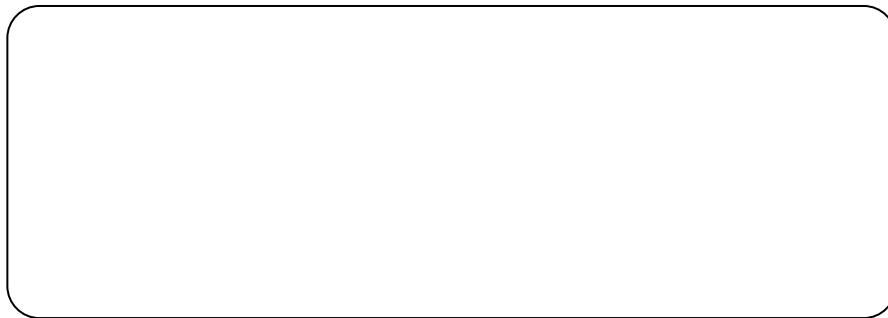


7

ITEM NO.	PART NO.	DESCRIPTION	ERP NO.	QTY	REMARK
1	PC230	WARNING LABEL	70701008	1	
2	PC140	DANGER LABEL	70701002	1	
3	PC110	WARNING LABEL	70701001	1	
4	PC400	WARNING LABEL	70701010	1	
5	107dB	SOUND POWER LEVEL LABEL	70701053	1	
6	PC200	INSTRUCTION LABEL	70701004	1	
7	PC210	INSTRUCTION LABEL	70701005	1	



Distributed By



MASALTA ENGINEERING CO., LTD

Add: 20 Dalian Road, Baohe Industrial Estate, Hefei, China

Tel: 86-551-64846600, 64846601 Fax: 86-551-64846616

E-mail: sales@masalta.com.cn, masalta@mail.hf.ah.cn

[Http://www.masalta.com.cn](http://www.masalta.com.cn)