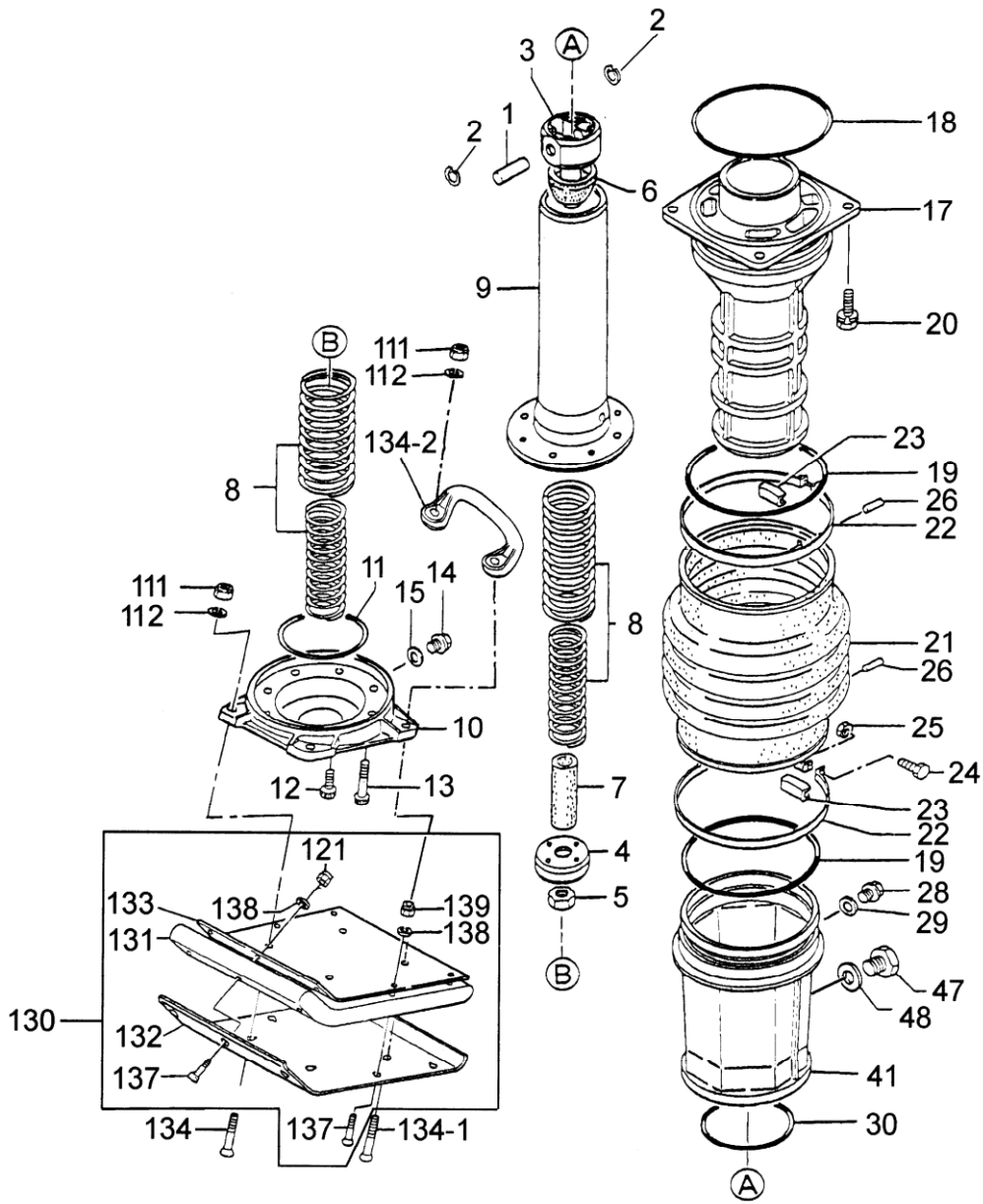


NO.	PART NO.	PART NAME	QTY.	PRICE	PRICE PER SET	REMARKS
1	072001	CRANK CASE	1	98.33	98.33	
4	072004	BEARING 6207	1	2.75	2.75	
5	072005	BEARING 6204	1	3.74	3.74	
6	072006	WASHER 9304	1	0.20	0.20	
7	072007	BOLT 8X25 H, SW	1	0.20	0.20	
8	072008	BEARING COVER	1	1.57	1.57	
9	072009	O-RING S-48	1	0.20	0.20	
10	072010	STOP RING R-48	2	0.20	0.39	
11	072011	BOLT 6X10 T	1	0.20	0.20	
12	072012	WASHER M5	1	0.20	0.20	
13	072013	CONNECTING ROD	1	9.83	9.83	
14	072014	BEARING 6304	1	1.97	1.97	
15	072015	STOP RING R-52	1	0.20	0.20	
16	072016	WASHER 9304	1	0.20	0.20	
17	072017	BOLT 8X25 H, SW	1	0.20	0.20	
19	072019	PACKING, FRONT COVER	1	1.57	1.57	
20	072020	BOLT 6X20 H, SW	9	0.20	1.77	
22	072022	PINION	1	10.82	10.82	
23	072023	BEARING 6204	1	3.15	3.15	
24	072024	STOP RING S-35	1	0.20	0.20	
25	072025	SPACER	1	4.92	4.92	
26	072026	OIL SEAL TC-40528	1	0.20	0.20	
27	072027	O-RING G-100	1	0.59	0.59	
28	072028	CLUTCHDRUM	1	17.70	17.70	
29	072029	KEY 5X5X19R	1	0.20	0.20	
30	072030	LOCK WASHER	1	0.20	0.20	
31	072031	BOLT 8X20 H, SW	1	0.20	0.20	
32	072032	BEARING 6007Z	1	2.95	2.95	
34	072034	WOODRUFF KEY	1	0.39	0.39	
35	072035	CLUTCH ASSY C812E	1	23.60	23.60	INCLUDES ITEMS W/*
35-1*	072035-1	CLUTCH GUIDE/B	1			
35-2*	072035-2	CLUTCH BOSS C812	1			
35-3*	072035-3	CLUTCH SHOE C812	4			
35-4*	072035-4	CLUTCH SPRING C812	2			
35-5*	072035-5	CLUTCH GUIDE/A 1T	1			
36*	072036	LOCK WASHER, CLUTCH	1			
42	072042	AIR CLEANER ASSY	1	23.60	23.60	INCLUDES ITEMS W/*
42-1*	072042-1	BODY W-CLEANER	1			
42-2*	072042-2	BACK PLATE CP	1			
42-3*	072042-3	ELEMENT, YELLOW	1			
42-4*	072042-4	ELEMENT, GRAY	1			
42-5*	072042-5	ELEMENT FRAME	1			
43	072043	BOLT 8X20 H, SW	4			
44	072044	INTAKE PIPE	1			
45	072045	HOSE BAND (B)	1			
46	072046	THROTTLE LEVER ASSY	1	9.83	9.83	
47	072047	THROTTLE WIRE S620-740	1			

48	072048	RUBBER, SLIP STOP	1			
49	072049	RETURN SPRING	1			
49	072049	COIL SPRING	1			
50	072050	BAND	1			
51	072051	NUT M10	2	0.20	0.39	
52	072052	WASHER M10	2	0.20	0.39	
53	072053	BOLT 10X50 H, SW	2	0.20	0.39	
76	072076	UNDER PROTECTOR	1	3.93	3.93	
77	072077	BOLT 8X40 T	4	0.20	0.79	
78	072078	NUT M8	4	0.20	0.79	
79	072079	WASHER M8	4	0.20	0.79	
80	072080	WASHER M8	4	0.20	0.79	
81	072081	BOLT AND WASHER ASSY	2			
86	072086	ENGINE ASSY EH12-2D	1			
91	072091	CRANK GEAR	1	31.47	31.47	
92	072092	FRONT COVER	1	9.83	9.83	

GUIDE CYLINDER AND FOOT ASSY.

GUIDE CYLINDER AND FOOT ASSY.



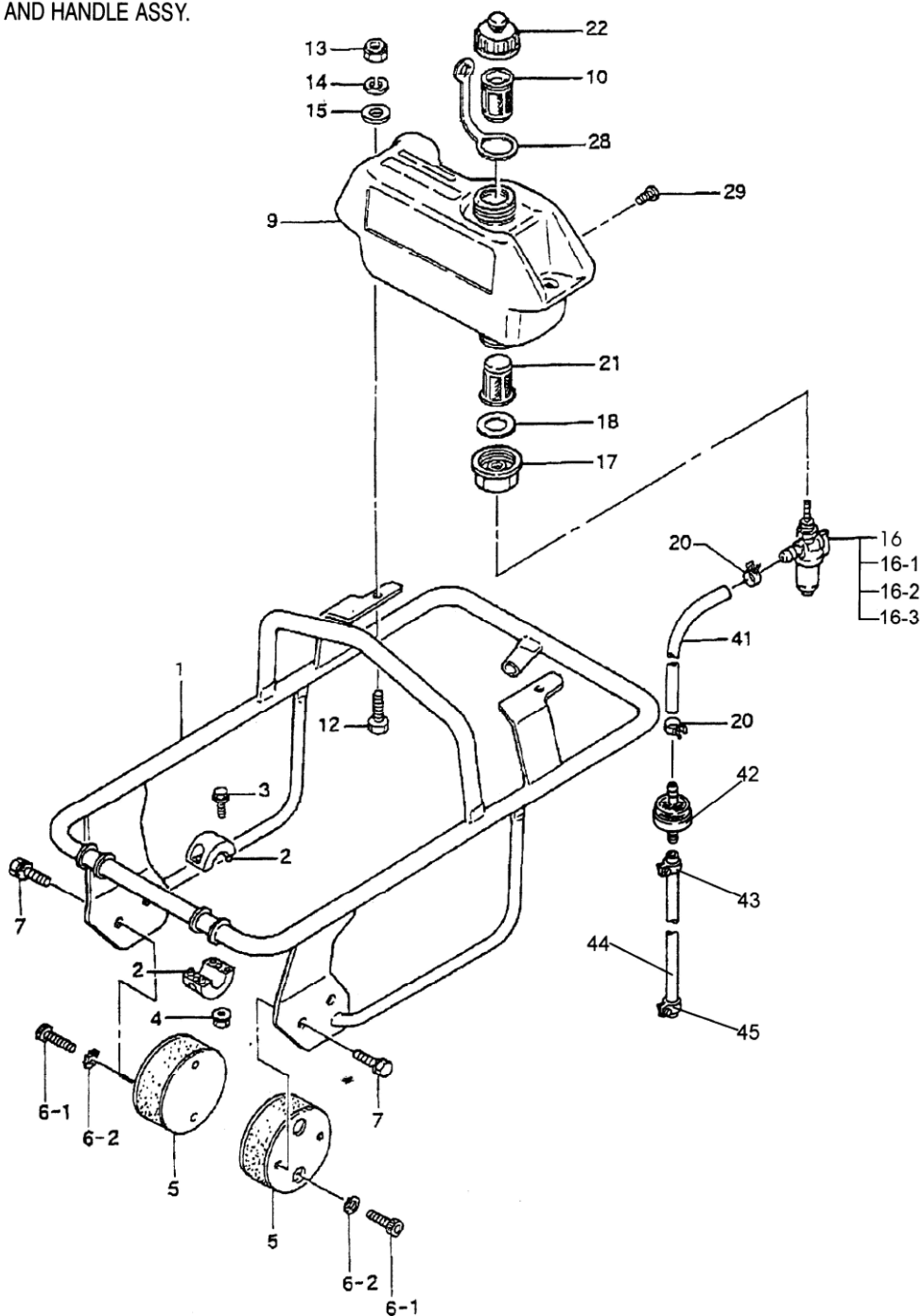
GUIDE CYLINDER AND FOOT ASSY

NO.	PART NO.	PART NAME	QTY.	PRICE	PRICE PE	REMARKS
1	072101	PISTON PIN	1	2.95	2.95	
2	072101-1	STOP RING R-15	1			
2	072102-2	PISTON PIN PLUG	1	0.59	0.59	
3	072103-1	PISTON ROD KIT	1	21.63	21.63	INCLUDES ITEMS W/#
3	072103-2	PISTON ROD KIT	1			INCLUDES ITEMS W/#
4#	072104	PISTON END	1	5.90	5.90	
5#	072105	NUT M18, P1.5	1	0.59	0.59	
6	072106	STOPPER UPPER	1	2.95	2.95	
7	072107	STOPPER LOWER	1	2.95	2.95	
8	072108	MAIN SPRING	2	14.16	28.32	
9	072109	SPRING CYUNDER	1	27.53	27.53	
10	072110	FOOT PLATE	1	19.27	19.27	
11	072111	O-RING G-90	1	0.39	0.39	
12	072112	SOCKET HEAD BOLT 10X20	4	0.20	0.79	
13	072113	SOCKET HEAD BOLT 10X40	4	0.20	0.79	
14	072114	PLUG 1/4X14 13L	1	0.39	0.39	
15	072115	PACKING 1/4 (CU)	1	0.39	0.39	
17	072117	GUIDE CYLINDER	1	39.33	39.33	
18	072118	O-RING P-150	1	0.98	0.98	
19	072119	O-RING JASO3150	2	0.98	1.97	
20	072120	BOLT 10X35 H. SW	4	0.20	0.79	
21	072121	BELLOWS (L) ORANGE	1	59.00	59.00	
22	072122	BELLOWS CLAMP	2	2.95	5.90	
23	072123	BAND GUIDE BELLOWS	2			
24	072124	BOLT 8X40 H	2			
25	072125	NUT M8	2			
26	072126	PIN 6D-8.5L	2	0.20	0.39	
28	072128	PLUG 1/4X14 13L	2	0.39	0.79	
29	072129	PACKING 1/4 (CU)	2	0.39	0.79	
30	072130	O-RING G-95	1	0.39	0.39	
41	072141	PROTECTION SLEEVE	1	31.47	31.47	
47	072147	LEVEL GAUGE, PLUG TYPE	1	3.15	3.15	
48	072148	COPPER PACKING 17X25.5X	1	0.39	0.39	
111	072211	NYLON NUT M12	4	0.20	0.79	
112	072212	WASHER SW M12	4	0.20	0.79	
121	072221	NYLON NUT M10	1	0.20	0.20	
130	072230	FOOT ASSY	1	31.47	31.47	INCLUDE ITEMS W/*
131*	072231	FOOT 285B-331L	1			
132*	072232	METAL SHEET	1			
133*	072233	FOOT COVER	1			
134	072234	SUNK HEAD BOLT 12X65 H	4			
134	072234	SUNK HEAD BOLT 12X65 H	2			
134-1	072234-1	SUNK HEAD BOLT 12X95 H	2			
134-2	072234-2	HANDLE	1			
137*	072237	SUNK HEAD BOLT 10X55 H	7			
138*	072238	WASHER SW M10	7			

139	072239	NYLON NUT M10	7			
-----	--------	---------------	---	--	--	--

TANK AND HANDLE ASSY.

TANK AND HANDLE ASSY.



TANK AND HANDLE ASSY

NO.	PART NO.	PART NAME	QTY.	PRICE	PRICE PE	REMARKS
1	072301	HANDLE	1	25.57	25.57	S/N L1291 AND BELOW
2	072302	ROLLER HANDLE	2			
3	072303	FLANGE BOLT 5X25 H	4	0.20	0.79	
4	072304	FLANGE NUT	4	0.20	0.79	
5	072305	SHOCK ABSORBER	2	8.85	17.70	
6-1	072306	SOCKET HEAD BOLT 10X20T	4	0.20	0.79	
6-2	072307	TOOTH LOCKED WASHER BM1	4	0.20	0.79	
7	072308	BOLT 10X20 H, SW	4	0.20	0.79	
9	072309	FUEL TANK	1	8.85	8.85	
10	072310	FILTER TANK	1			S/N M2534 AND BELOW
12	072312	BOLT 8X30 T	2	0.20	0.39	
13	072313	NYLON NUT M8	2	0.20	0.39	
14	072314	WASHER SW M8	2	0.20	0.39	
15	072315	WASHER 8.5X22X3	2	0.20	0.39	
16	072316	FUEL COCK ASSY	1	9.83	9.83	S/N L1291 AND BELOW INCLUDES ALL ITEMS W/*
16-1*	072316-1	CUP, FUEL COCK	1			
16-2*	072316-2	SCREEN, FUEL COCK	1			
16-3*	072316-3	RUBBER PACKING, FUEL CO	1			
17	072317	HOLDER, FUEL COCK	1	4.92	4.92	
18	072318	PACKING, COCK FUEL, COC	1	0.59	0.59	
20	072320	HOSE BAND 9.5D	2			
21	072321	STRAINER	1	3.93	3.93	
22	072322	CAP ASSY, TANK	1	4.92	4.92	
28	072328	STRAP FUEL TANK CAP	1			
29	072329	SCREW, PAN HEAD 8X10	2			
41	072341	HOSE FUEL	1			
42	072342	FILTER, IN-LINE	1			
43	072343	HOSE BAND	2			
44	072344	FUEL HOSE B-95	1			
45	072345	HOSE BAND 9.5D	2			