

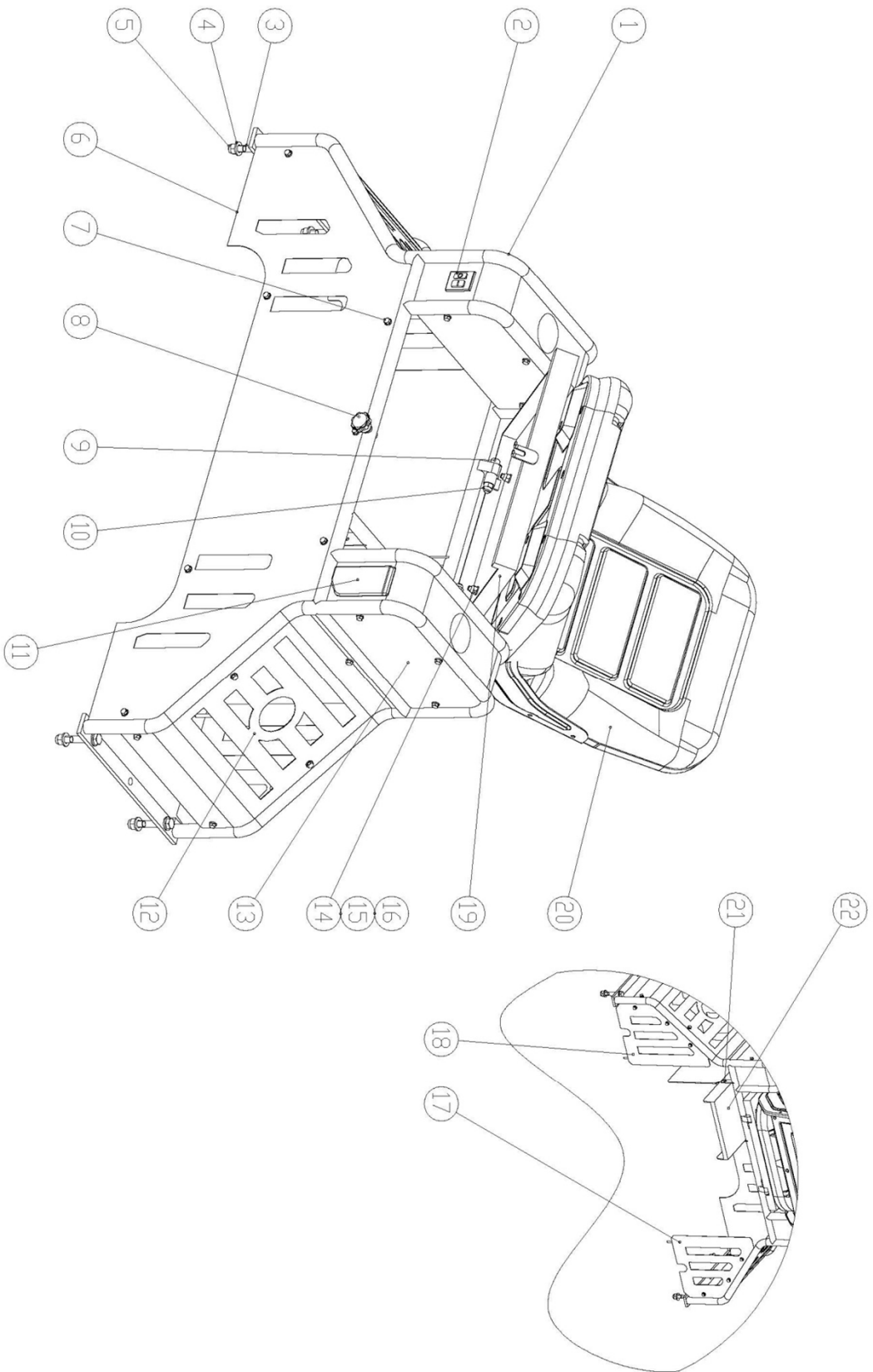


**MASALTA®**



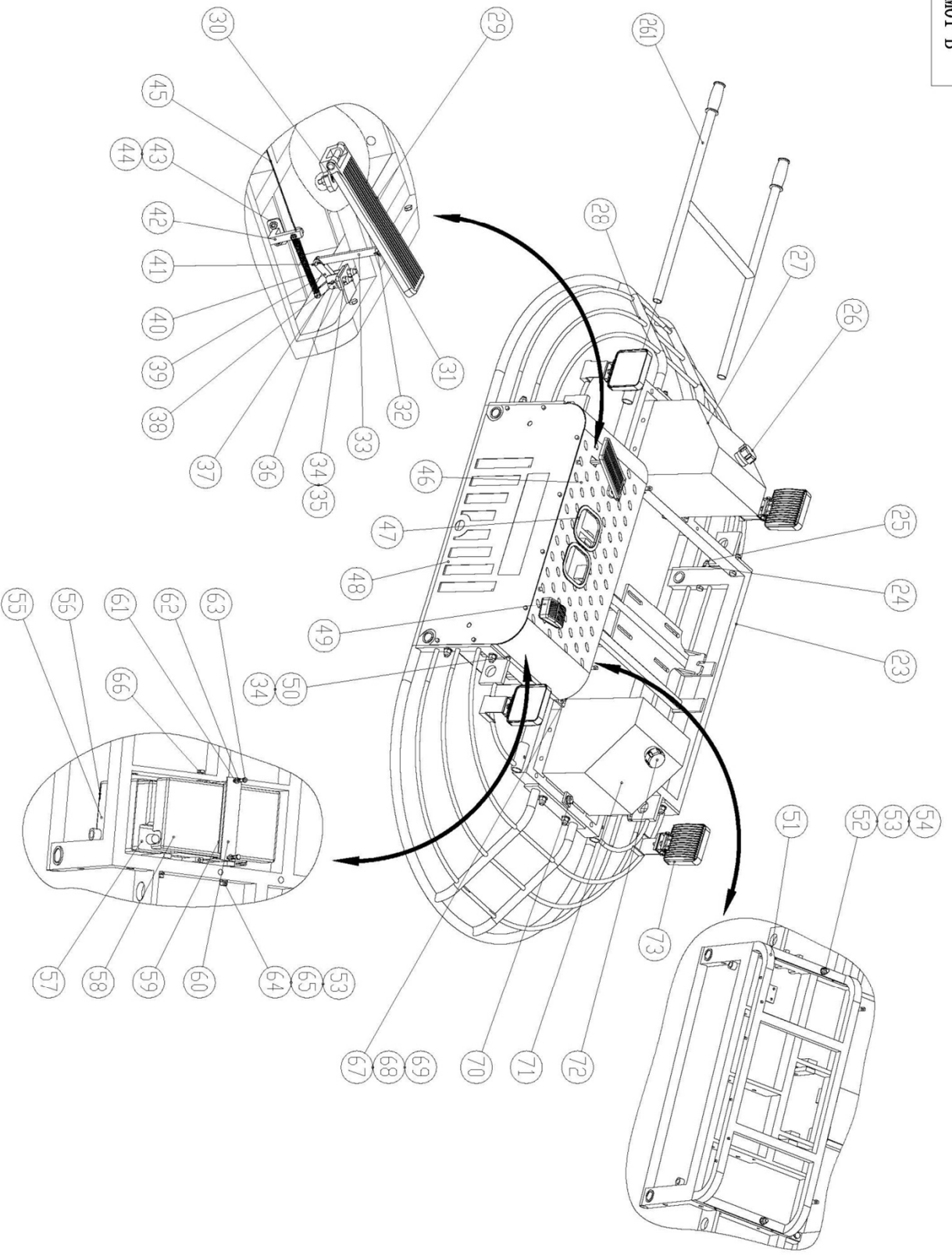
**PARTS MANUAL  
RIDE-ON POWER TROWEL  
MRT364**





# PRT364-BOM01-A

ITEM NO.	PART NO.	DESCRIPTION	ERP NO.	QTY	REMARK
1	MRT364.01.03	UPPER FRAME		1	
2	MRT364.DQ.01	COMBINATION SWITCH		1	
3	GB5782-M12X80	HEXAGON BOLT M12X80		4	
4	GB97.1-12	FLAT GASKET $\Phi$ 12		4	
5	GB889-M12	HEXAGON LOCK NUT M12		4	
6	MRT364.01.07	COVER		1	
7	GB5787	HEXAGON FLANGE BOLT M6X12		35	
8	20405006	M10 KNOB		1	
9	GB70.1-M10X55	SOKET HEAD CAP SCREW M10X55		2	
10	GB889-M10	HEXAGON LOCK NUT M10		2	
11	MRT364.DQ.02	CONTROL PANEL ASSEMBLY		1	
12	MRT364.01.05	COVER		2	
13	MRT364.01.06	COVER		4	
14	GB5783-M8X20	HEXAGON BOLT M8X20		4	
15	GB97.1-8	FLAT GASKET $\Phi$ 8		4	
16	GB889-M8	HEXAGON LOCK NUT M8		4	
17	MRT364.01.11	LEFT COVER		1	
18	MRT364.01.08	RIGHT COVER		1	
19	MRT364.09.01	SEAT SUSPENSION		1	
20	WX29	SEAT		1	
21	GB5783-M6X12	HEXAGON BOLT M6X12		3	
22	MRT364.08	THERMAL INSULATION SYSTEMS		1	

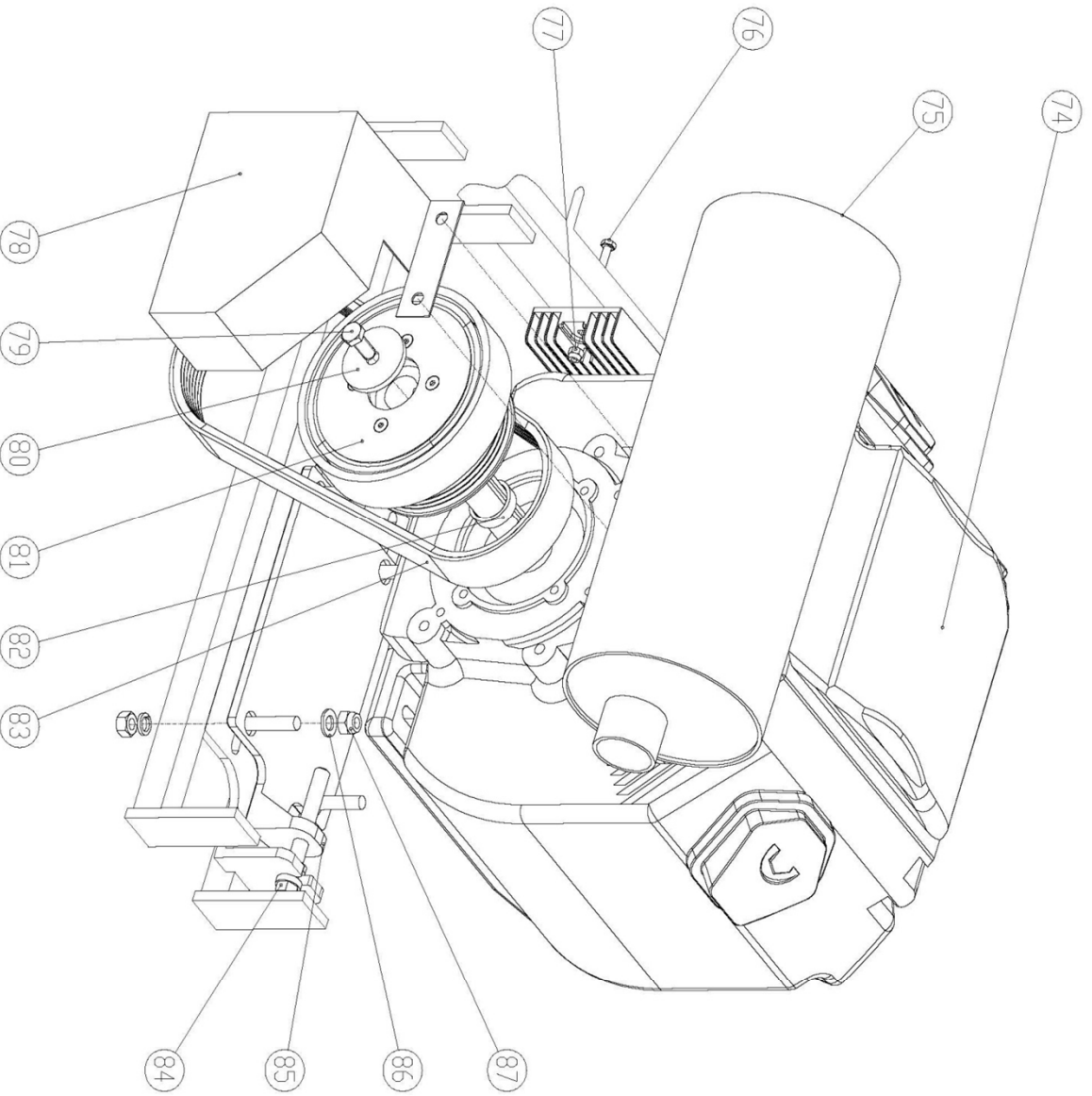


# PRT364-BOM01-B

ITEM NO.	PART NO.	DESCRIPTION	ERP NO.	QTY	REMARK
23	MRT364.01.01	FRAME		1	
24	GB97.1-12	FLAT GASKET $\Phi$ 12		8	
25	GB889-M12	HEXAGON LOCK NUT M12		8	
26	MRS80-801002A	FUEL-TANK CAP		1	
27	MRT364.05.01.01	FUEL-TANK ASSEMBLY		1	
28	MRT364.01.02	SIDE PROTECTION FRAME		2	
29	YMTB-HL	ACCELERATOR PEDAL		1	
30	GB822-M6X16	CROSS RECESSED CHEESE HEAD SCREWS M6X16		2	
31	MRT364.07.01	LINK BLOCK		1	
32	MRT364.07.02	SHORT PIN		2	
33	MRT364.07.03	THROTTLE CONNECTING ROD		1	
34	GB5783-M6X20	HEXAGON BOLT M6X20		6	
35	GB889-M6	LOCKNUT M6		2	
36	MRT364.07.04	HANGING BOARD		1	
37	MRT364.07.05	LONG PIN AXLE		1	
38	GB29.2-M5X12	BOLT M5X12		2	
39	MRT364.07.06	FOLD CHORD		1	
40	MRT364.07.08	TENSION SPRING		1	
41	GB91	COTTER D2X8		3	
42	MRT364.07.07	TENSION SPRING FRAME		1	
43	GB70.1-M6X16	SOKET HEAD CAP SCREW M6X16		2	
44	GB93-6	SPRING WASHER $\Phi$ 6		2	
45	MRT364.00.02	THROTTLE CABLE		1	
46	MRT364.01.09	PEDAL		1	
47	FBT	EDGE BAND		2	
48	MRT364.01.10	FRONT COVER		1	

# PRT364-BOM01-B

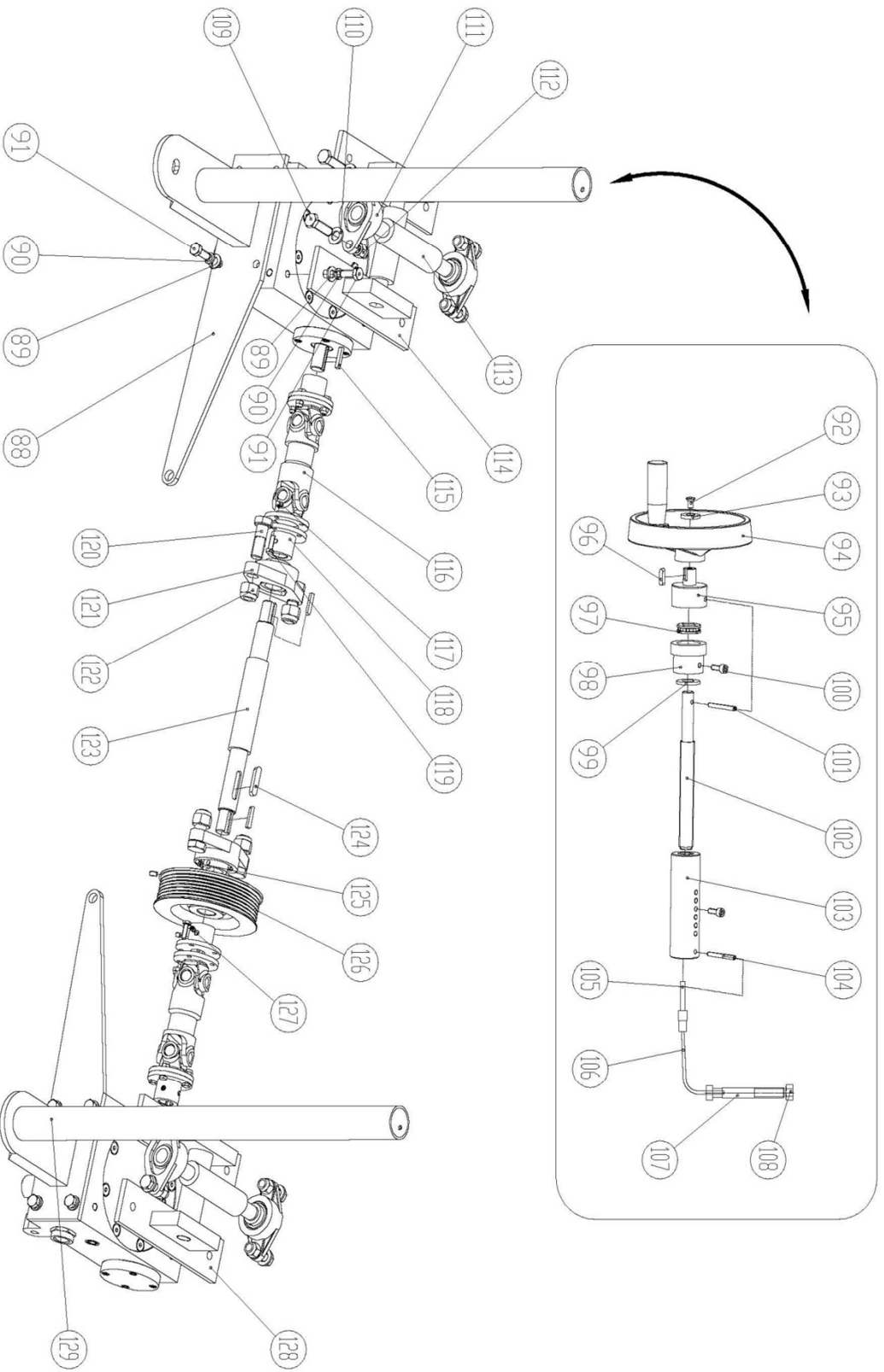
ITEM NO.	PART NO.	DESCRIPTION	ERP NO.	QTY	REMARK
49	CFS-01	PEDAL SWITCH		1	
50	GB923-M6	NUT M6		14	
51	MRT364.01.04	PEDAL BRACKET		1	
52	GB5782-M8X100	HEXAGON BOLT M8X100		2	
53	GB97.1-8	FLAT GASKET $\Phi$ 8		7	
54	GB889-M8	LOCKNUT M8		2	
55	MRT364.10.01	BATTERY BRACKET		1	
56	MRT364.10.02	BATTERY PAD		1	
57	6-QW-45	BATTERY		1	
58	MRT364.10.05	BATTERY COVER		1	
59	MRT364.10.04	BATTERY PRESSING PLATE PAD		1	
60	MRT364.10.03	BATTERY PRESSING PLATE		1	
61	GB97.1-5	FLAT GASKET $\Phi$ 5		2	
62	GB93-5	SPRING WASHER $\Phi$ 5		2	
63	GB5783-M5X16	HEXAGON BOLT M5X16		2	
64	GB93-8	SPRING WASHER $\Phi$ 8		3	
65	GB5783-M8X40	HEXAGON BOLT M8X40		2	
66	GB5783-M8X25	HEXAGON BOLT M8X25		1	
67	GB5782-M10X80	HEXAGON BOLT M10X80		4	
68	GB97.1-10	FLAT GASKET $\Phi$ 10		6	
69	GB889-M10	HEXAGON LOCK NUT M10		6	
70	GB5782-M10X90	HEXAGON BOLT M10X90		2	
71	MRT364.06.01	WATER TANK ASSEMBLY		1	
72	MRS80-801002A-S	WATER TANK COVER		1	
73	WM-W15CBEP-2	LIGHT		4	
261	MRT364.BY.TG	LIFTING BAR		2	



# PRT364-BOM01-C

ITEM NO.	PART NO.	DESCRIPTION	ERP NO.	QTY	REMARK
74	GX690-T	HONDA GX690-T ENGINE		1	
75	GX690-XYQ	MUFFLER		1	
76	GB5782-M6X45	HEXAGON BOLT M6X45		2	
77	GB889-M6	HEXAGON LOCK NUT M6		2	
78	MRT364.02.09	BELT COVER		1	
79	MRT364.02.03	CLUTCH PRESSING PAD		1	
80	UNF2B TAP	7/16-20		1	
81	MRT364.02.01	CLUTCH		1	
82	MRT364.02.04	CLUTCH SLEEVE		1	
83	GB16588	POLY V-BELT		1	
84	MRT364.02.11	BOLT		1	
85	MRT364.02.05	ENGINE MOUNTING PLATE		1	
86	GB97.1-10	FLAT GASKET $\Phi$ 10		8	
87	GB889-M10	HEXAGON LOCK NUT M10		8	



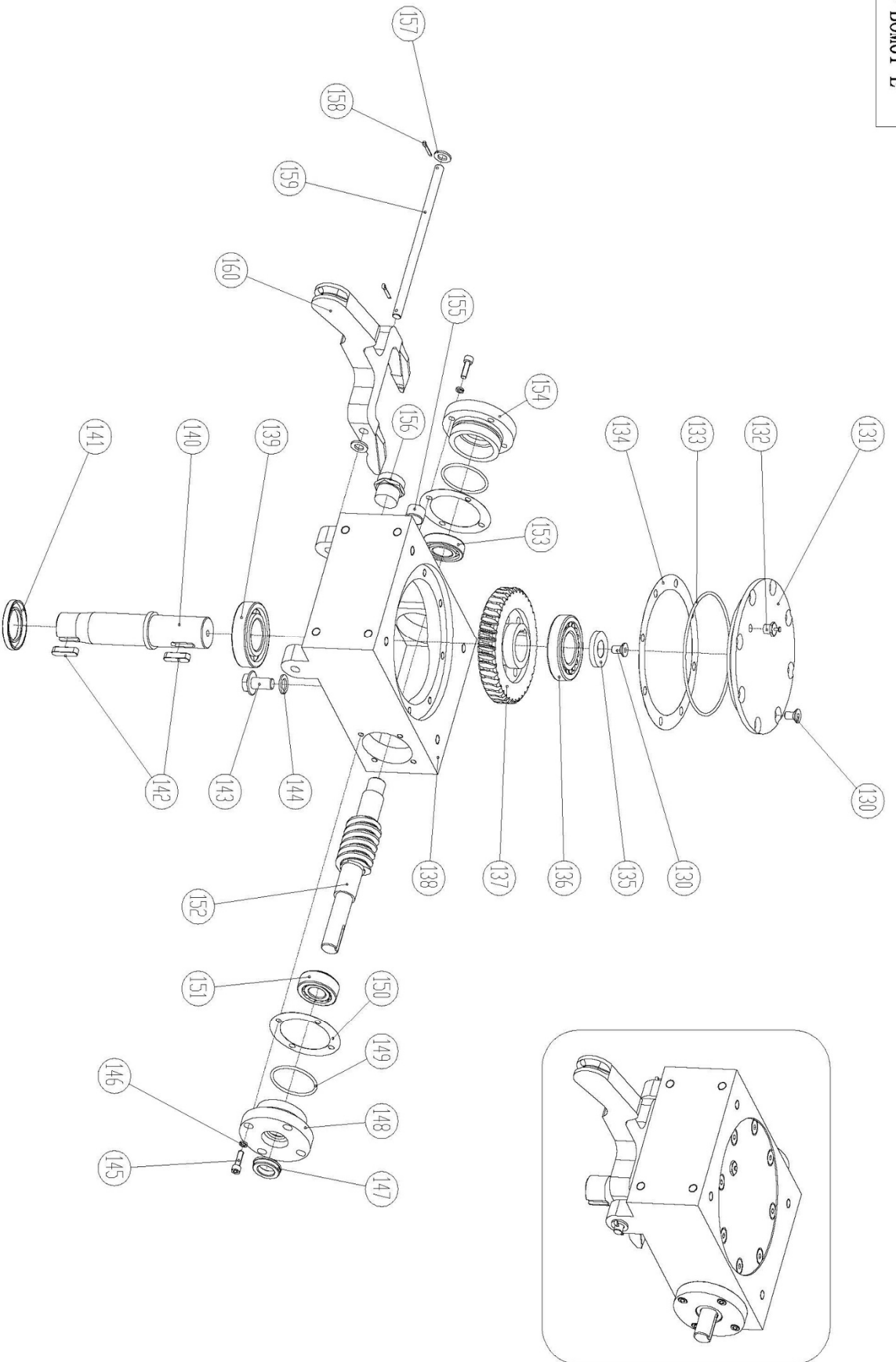


# PRT364-BOM01-D

ITEM NO.	PART NO.	DESCRIPTION	ERP NO.	QTY	REMARK
88	MRT364.04.02	ANGLE CONTROL BRACKET OF BLADE		1	
89	GB97.1-10	FLAT GASKET $\Phi$ 10		12	
90	GB93-10	SPRING WASHER $\Phi$ 10		12	
91	GB5783-M10X25	HEXAGON BOLT M10X25		12	
92	GB70.3-M6X12	SCREW M6X12		1	
93	MRT364.04.01.01	PRESSURE MAD FOR HANDWHEEL		1	
94	JB3717.12	FOLDABLE HANDWHEEL		1	
95	ZX36/42/46.00.02.02-02	FIX SEAT		1	
96	GB1096	FLAT KEY 5X5X15		1	
97	GB301	BEARING 51103		1	
98	MRT364.04.01.02	CONNECTING SEAT		1	
99	GB97.1-14	FLAT GASKET $\Phi$ 14		1	
100	GB70.1-M6X12	SOKET HEAD CAP SCREW M6X12		2	
101	GB879.1	PIN 5X40		1	
102	ZX36/42/46.00.02.02-03	LONG BOLT		1	
103	ZX36/42/46.00.02.02-04	SLEEVE		1	
104	GB879.1	PIN 5X30		1	
105	ZX36/42/46.00.02.02-05	PULL PIN		1	
106	MRT364.04.01.03	STEEL WIREROPE		1	
107	ZX36/42/46.00.02.02-07	BOLT		1	
108	GB6170-M10	HEX NUT M10		1	
109	GB5783-M12X40	HEXAGON BOLT M12X40		8	
110	GB97.1-12	FLAT GASKET $\Phi$ 12		8	
111	GB7810	UCFLU204		4	
112	GB889-M12	HEXAGON LOCK NUT M12		8	
113	MRT364.04.03.01	CROSS SHAFT		1	

# PRT364-BOM01-D

ITEM NO.	PART NO.	DESCRIPTION	ERP NO.	QTY	REMARK
114	MRT364.04.03.02	HANGING BOARD		2	
115	GB1096	FLAT KEY 5X30		4	
116	SWC-I-65	CARDAN JOINT		2	
117	GB889	HEXAGON LOCK NUT M6		16	
118	MRT364.02.06	CARDAN JOINT CONNECTING FLANGE		4	
119	GB5783	HEXAGON BOLT M6X20		16	
120	GB5783	HEXAGON BOLT M16X55		4	
121	GB7810	UCFLU205		2	
122	GB889	HEXAGON LOCK NUT M16		4	
123	MRT364.02.08	CARDAN AXIS		1	
124	GB1096	FLAT KEY 8X40		1	
125	GB77	LOCK SCREWM6X12		1	
126	MRT364.02.07	BELT PULLEY		1	
127	GB77	LOCK SCREWM6X8		8	
128	MRT364.04.07.01	CROSS SHAFT BOARD		1	
129	MRT364.04.06	CONTROL BRACKET FOR BLADE ANGLE AJUSTMENT		1	

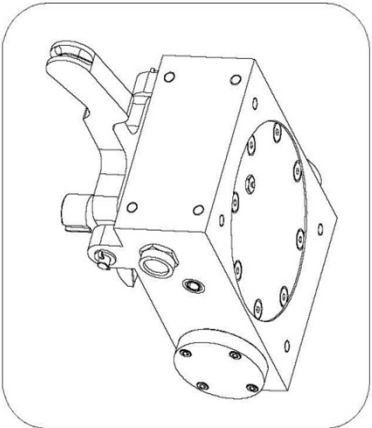
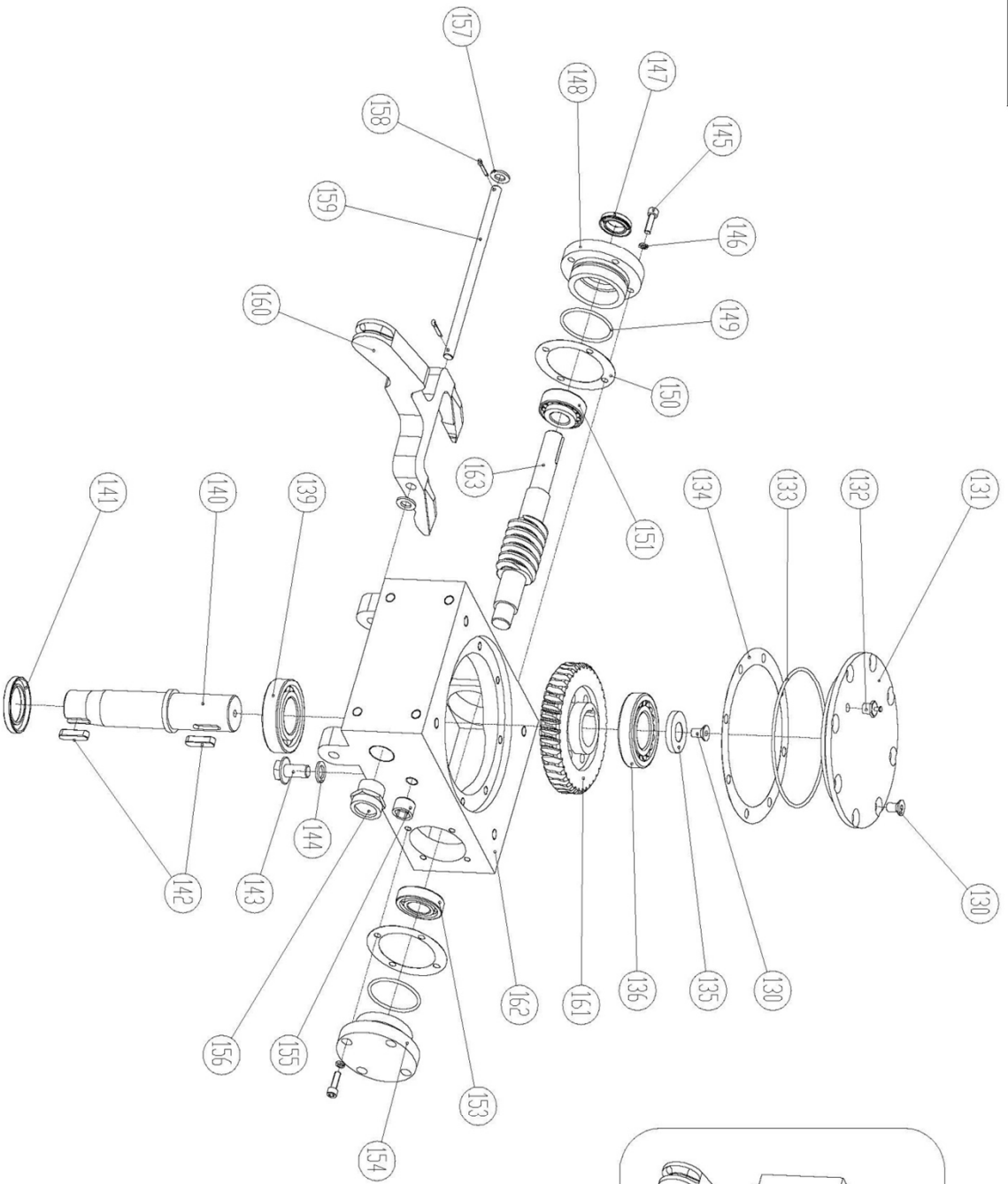


# PRT364-BOM01-E

ITEM NO.	PART NO.	DESCRIPTION	ERP NO.	QTY	REMARK
130	GB70.3-M8X16	SCREW M8X16		9	
131	ZX36/42/46.00.03-03	UPPER COVER		1	
132	ZX36/42/46.00.03.01	AIR VALVE M10X1		1	
133	GB3452.7	O'RING 130X3		1	
134	ZX36/42/46.00.03-02	PAPER GASKET		1	
135	ZX36/42/46.00.03-04	GASKET		1	
136	GB297	BEARING30207		1	
137	MRT364.03.02-2	GEAR		1	
138	MRT364.03.01-2	RIGHT BOX		1	
139	GB276	BEARING 6207-2RZ		1	
140	ZX36/42/46.00.03-07	TRANSMISSION SHAFT		1	
141	GB13871	OIL SEAL 102717		1	
142	GB1096	KEY 8X7X30		2	
143	GB5789-M12X1.25X16	HEXAGON FLANGE BOLT M12X1.25X16		1	
144	GB97.2	GASKET		1	
145	GB70.1-M6X20	SOKET HEAD CAP SCREW M6X20		8	
146	GB93-6	SPRING WASHER Φ6		8	
147	GB13871	OIL SEAL 102715		1	
148	ZX36/42/46.00.03-11	BEARING CAP		1	
149	GB3452.7	O'RING 55X3		2	
150	ZX36/42/46.00.03-08	GASKET		2	
151	GB297	BEARING 32204		1	
152	MRT364.03.03-2	WORM		1	
153	GB276	BEARING 6204		1	
154	ZX36/42/46.00.03-09	BEARING COVER		1	
155	ZG1/2	CHOKE PLUG		1	

# PRT364-BOM01-E

ITEM NO.	PART NO.	DESCRIPTION	ERP NO.	QTY	REMARK
156	YB-M27X1.5	OIL LEVELER		1	
157	GB97.1-10	FLAT GASKET $\Phi$ 10		2	
158	GB91	COTTER $\Phi$ 2		2	
159	ZX36/42/46.00.03-06	SHAFT		1	
160	MT36/42/46-05-05-01	SHIFTING FORK		2	

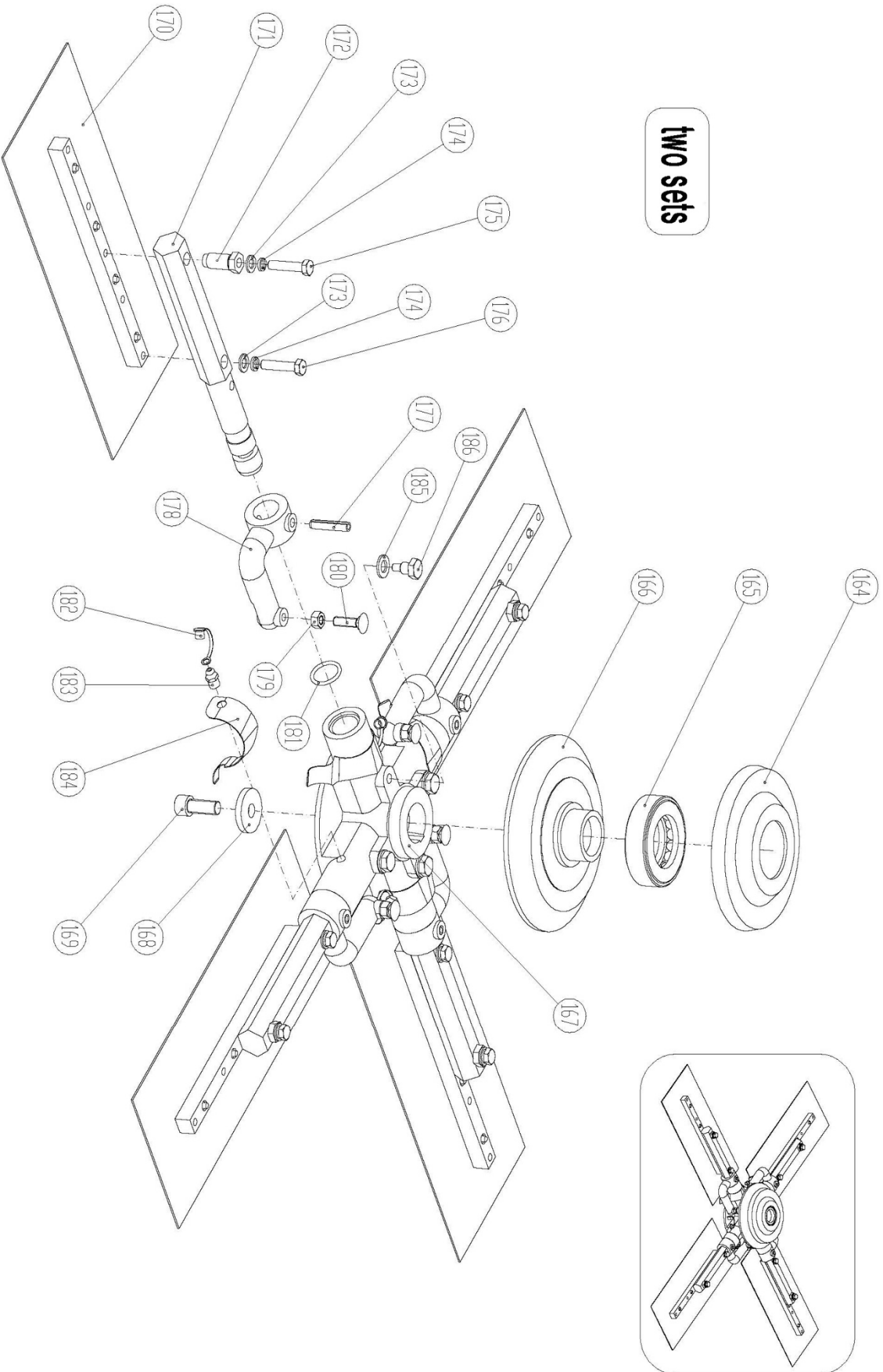


# PRT364-BOM01-F

ITEM NO.	PART NO.	DESCRIPTION	ERP NO.	QTY	REMARK
161	MRT364.03.02-1	GEAR		1	
162	MRT364.03.01-1	LEFT BOX		1	
163	MRT364.03.03-1	WORM		1	

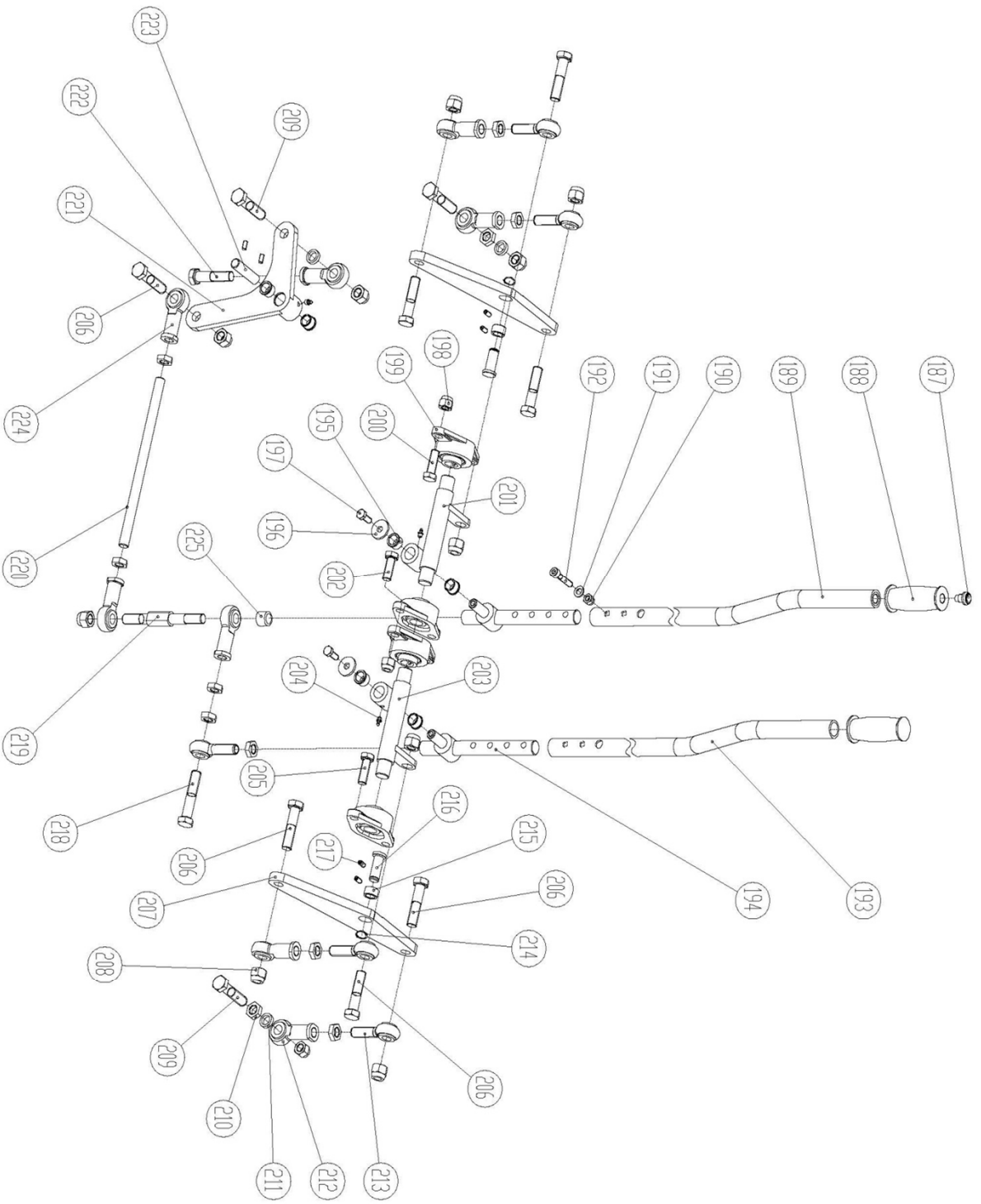


two sets



# PRT364-BOM01-G

ITEM NO.	PART NO.	DESCRIPTION	ERP NO.	QTY	REMARK
164	M360200007	BEARING PLATEN		1	
165	M360200006	BEARING 51209		1	
166	M360200005	BLADE PLATEN		1	
167	M360200019	CROSS		1	
168	M360200002	CROSS GASKET		1	
169	M360200001	SOKET HEAD CAP SCREW M12X30		1	
170	M360200009-1	36 BLADE		4	
171	M360200010-1	36 HEXAGONAL ROD		4	
172	M360200059	M14X1.0 BLADE AJUST BOLT		4	
173	M360200011	Φ8FLAT GASKET		8	
174	M360200012	Φ8SPRING WASHER		8	
175	M360200013	5/16-18*50		4	
176	M360200060	5/16-18*38		4	
177	M360200016	Φ8X45 PIN		4	
178	M360200014	CROSS BEND		4	
179	M360200018	M8 NUT		4	
180	M360200017	M8X30 BOLT		4	
181	M360200063	30*3.0 "O"RING		4	
182	M360200064	OIL CUP DUST COVER		4	
183	M360200022	M10*1 OIL CUP		4	
184	M360200020	LEAF SPRING		4	
185	M360200061	Φ10FLAT GASKET		4	
186	M360200062	M10X20 LIMIT SCREW		4	

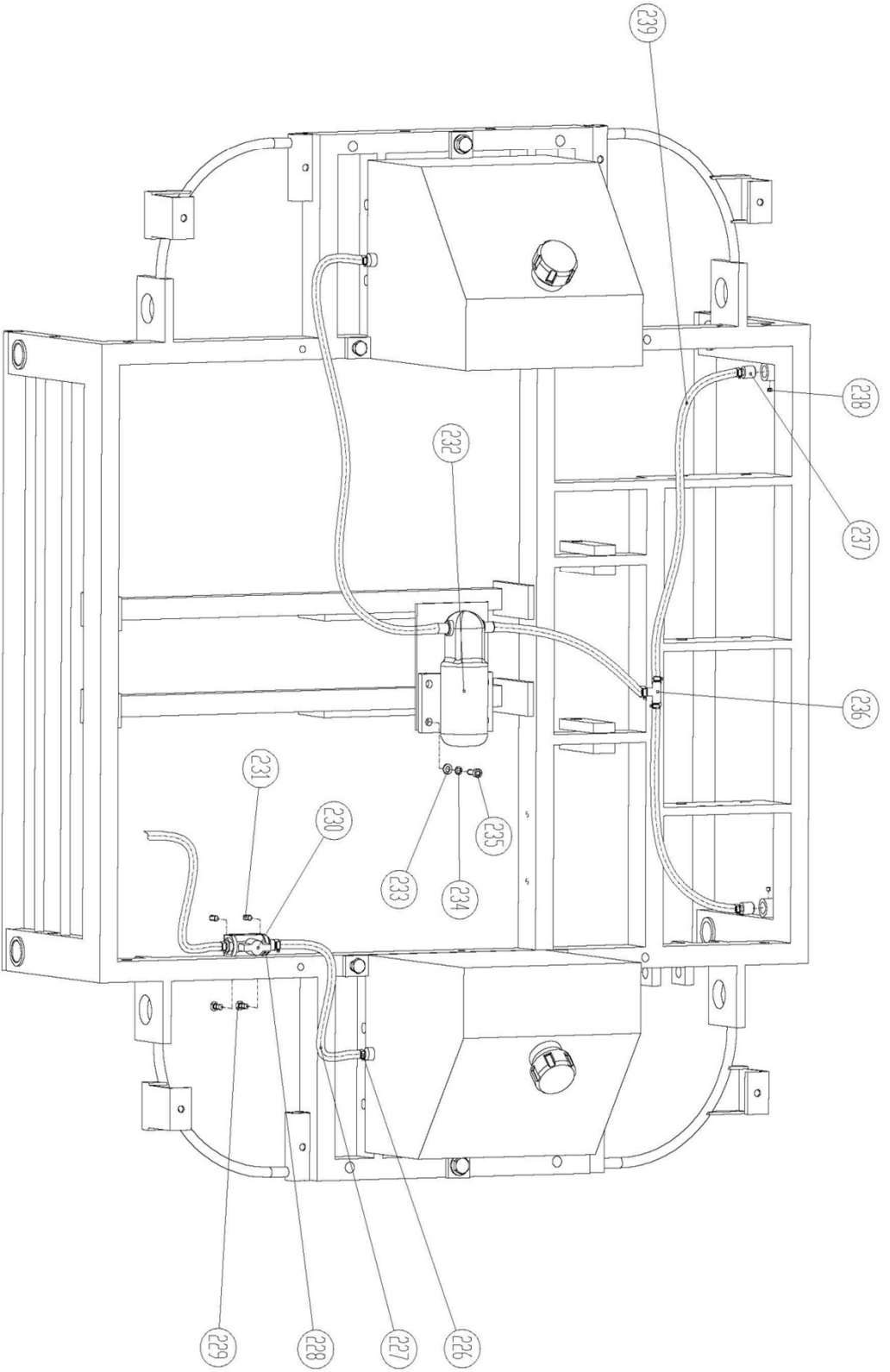


# PRT364-BOM01-H

ITEM NO.	PART NO.	DESCRIPTION	ERP NO.	QTY	REMARK
187	DN12-A2	WATERPROOF METAL PUSH BUTTON SWITCH		1	
188	XP-2	LEVEL SLEEVE		2	
189	MRT364.04.04.07	CONTROL LEVER		1	
190	GB889-M8	HEXAGON LOCK NUT M8		4	
191	GB97.1-8	FLAT GASKET $\Phi$ 8		4	
192	GB70.1-M8X45	SOKET HEAD CAP SCREW M8X45		4	
193	MRT364.04.05.02	CONTROL LEVER		1	
194	MRT364.04.04.06	CONTROL LEVER		2	
195	GB2686	BEARING 14X18X13		6	
196	GB5287-8	GASTKER $\Phi$ 8		2	
197	GB5783-M8X20	HEXAGON BOLT M8X20		2	
198	GB889-M12	HEXAGON LOCK NUT M12		4	
199	GB7810	UCFLU204		4	
200	GB5783-M12X40	HEXAGON BOLT M12X40		2	
201	MRT364.04.04.05	RIGHT BASE SHAFT		1	
202	GB5783-M12X50	HEXAGON BOLT M12X50		2	
203	MRT364.04.05.01	LEFT BASE SHAFT		1	
204	JB7940.1	OIL CUP M6X1		3	
205	GB5783-M12X20	HEXAGON BOLT M12X20		2	
206	GB5783-M14X50	HEXAGON BOLT M14X50		7	
207	MRT364.04.04.04	CONNECTING ROD		2	
208	GB889-M14	HEXAGON LOCK NUT M14		11	
209	GB5782-M14X55	HEXAGON BOLT M14X55		3	
210	GB6174	NUT M14		9	
211	MRT364.04.04.10	ADJUSTING SLEEVE		3	
212	SIBP14S	BALL ARTICULATED FEMALE		8	

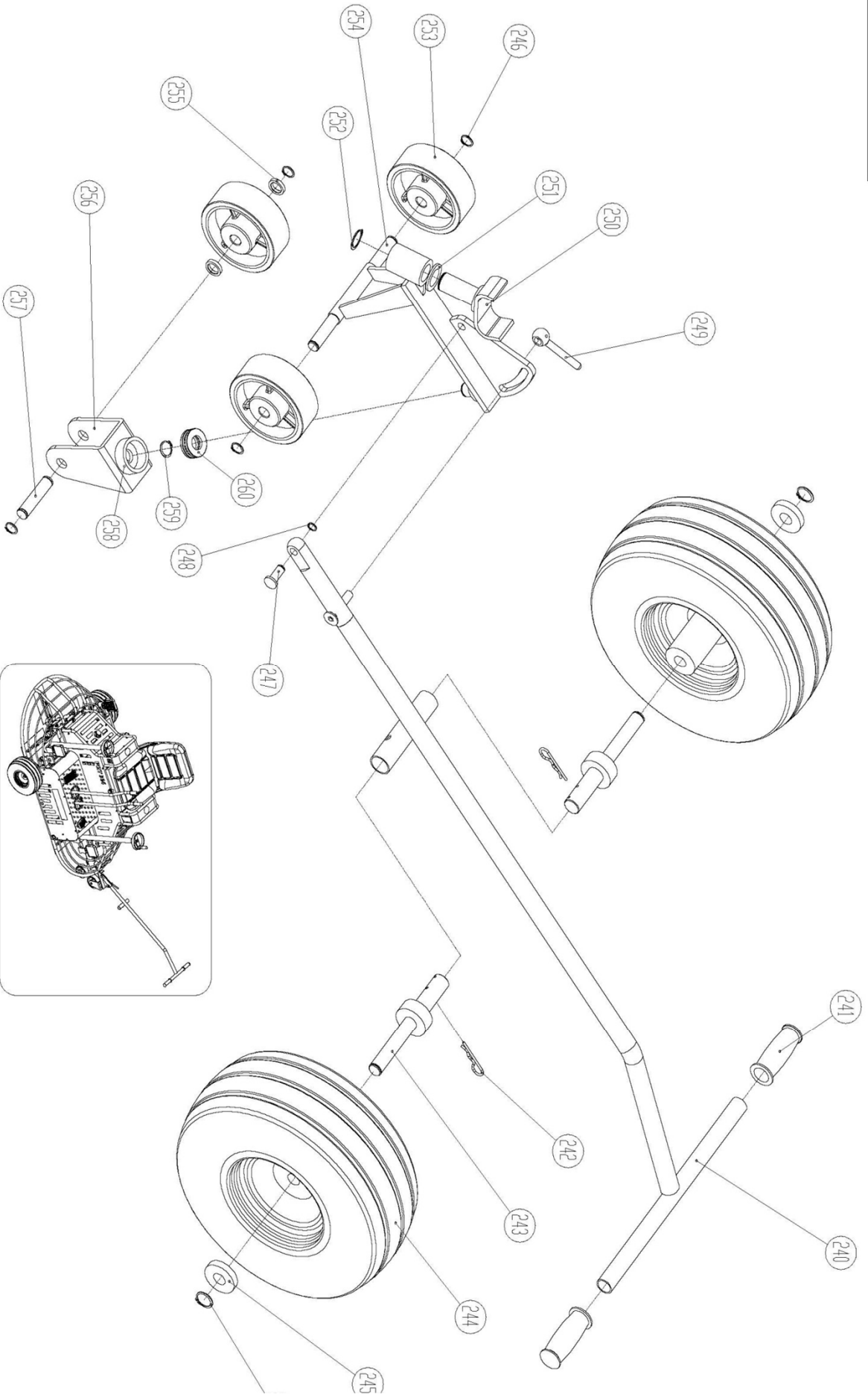
# PRT364-BOM01-H

ITEM NO.	PART NO.	DESCRIPTION	ERP NO.	QTY	REMARK
213	SABP14S	BALL ARTICULATED MALE		5	
214	GB894.1	SPRING WAHSER D14		2	
215	GB2685	BEARING 14X20X11		2	
216	MRT364.04.04.03	PIN		2	
217	GB77	LOCK SCREWM6X10		6	
218	GB5782-M14X75	HEXAGON BOLT M14X75		1	
219	MRT364.04.04.02	CONTROL CONNECTING ROD		1	
220	MRT364.04.04.09	BOLT M14X255		1	
221	MRT364.04.04.01	CONNECTING ROD		1	
222	GB5783-M14X20	HEXAGON BOLT M14X20		1	
223	MRT364.04.04.08	CONNECTING ROD PIN		1	
224	SIBP14S-F	BALL ARTICULATED FEMALE		1	
225	MRT364.04.04.10	SLEEVE FOR CONNECTING ROD		1	



## PRT364-BOM01-I

ITEM NO.	PART NO.	DESCRIPTION	ERP NO.	QTY	REMARK
226	41016	CLAMP		9	
227	YG-8	OIL TUBE		约2m	
228	MRT36.05.01.02	VALVE SEAT		1	
229	GB845	SCREW M6X12		2	
230	GB151855	BALL VALVE		1	
231	GB77	LOCK SCREWM6X16		2	
232	FL-3201	WATER PUMP		1	
233	GB97.1-6	FLAT GASKET $\Phi$ 6		4	
234	GB93-6	SPRING WASHER $\Phi$ 6		4	
235	GB70.1-M6X20	SOKET HEAD CAP SCREW M6X20		4	
236	ST	T-JUNCTION		1	
237	MRT364.06.02	NOZZLE		2	
238	GB77	LOCK SCREWM5X6		2	
239	SG-8	WATER PIPE		约4m	



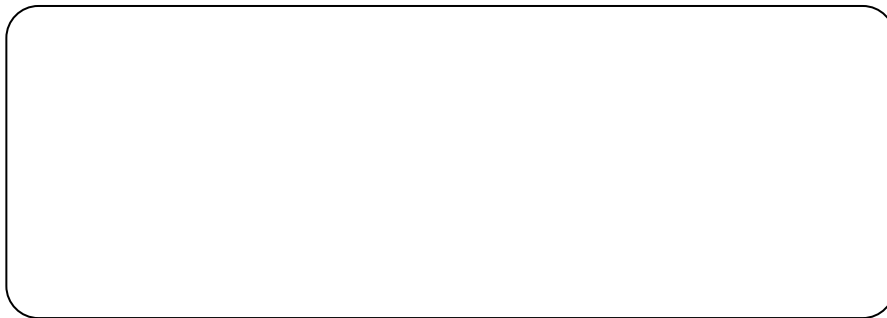


# PRT364-BOM01-J

ITEM NO.	PART NO.	DESCRIPTION	ERP NO.	QTY	REMARK
240	MRT364.BY.01	LIFTING BAR		1	
241	XP-2	HANDLE SLEEVE		2	
242	MH3008.00.23	CLAMP		2	
243	MRT364.BY.02	AXLE		2	
244	15X6.00-6	NFLATABLE WHEELS		2	
245	MRT364.BY.11	WHEEL PAD		2	
246	GB894.1	CIRCLIP D17		6	
247	MRT364.BY.03	LIFT ROD SHAFT		1	
248	GB894.1	CIRCLIP D12		1	
249	BM12x80	LEVER		1	
250	MRT364.BY.04	TRANSITION BOARD		1	
251	GB894.1	CIRCLIP D26		1	
252	MRT364.BY.05	NYLON PAD		1	
253	5"X50	PU CASTER WHEEL		3	
254	MRT364.BY.06	TRANSITION SUBJECT		1	
255	MRT364.BY.08	EPIPODIUM GASKET		2	
256	MRT364.BY.07	FORECARRIAGE		1	
257	MRT364.BY.09	EPIPODIUM		1	
258	MRT364.BY.10	BEARING SHEALTH		1	
259	GB894.1	CIRCLIP D20		1	
260	GB301	BEARING 51204		1	



*Distributed By*



MASALTA ENGINEERING CO., LTD

Add: 20 Dalian Road, Baohe Industrial Estate, Hefei, China

Tel: 86-551-64846600, 64846601 Fax: 86-551-64846616

E-mail: [sales@masalta.com.cn](mailto:sales@masalta.com.cn), [masalta@mail.hf.ah.cn](mailto:masalta@mail.hf.ah.cn)

[Http://www.masalta.com.cn](http://www.masalta.com.cn)