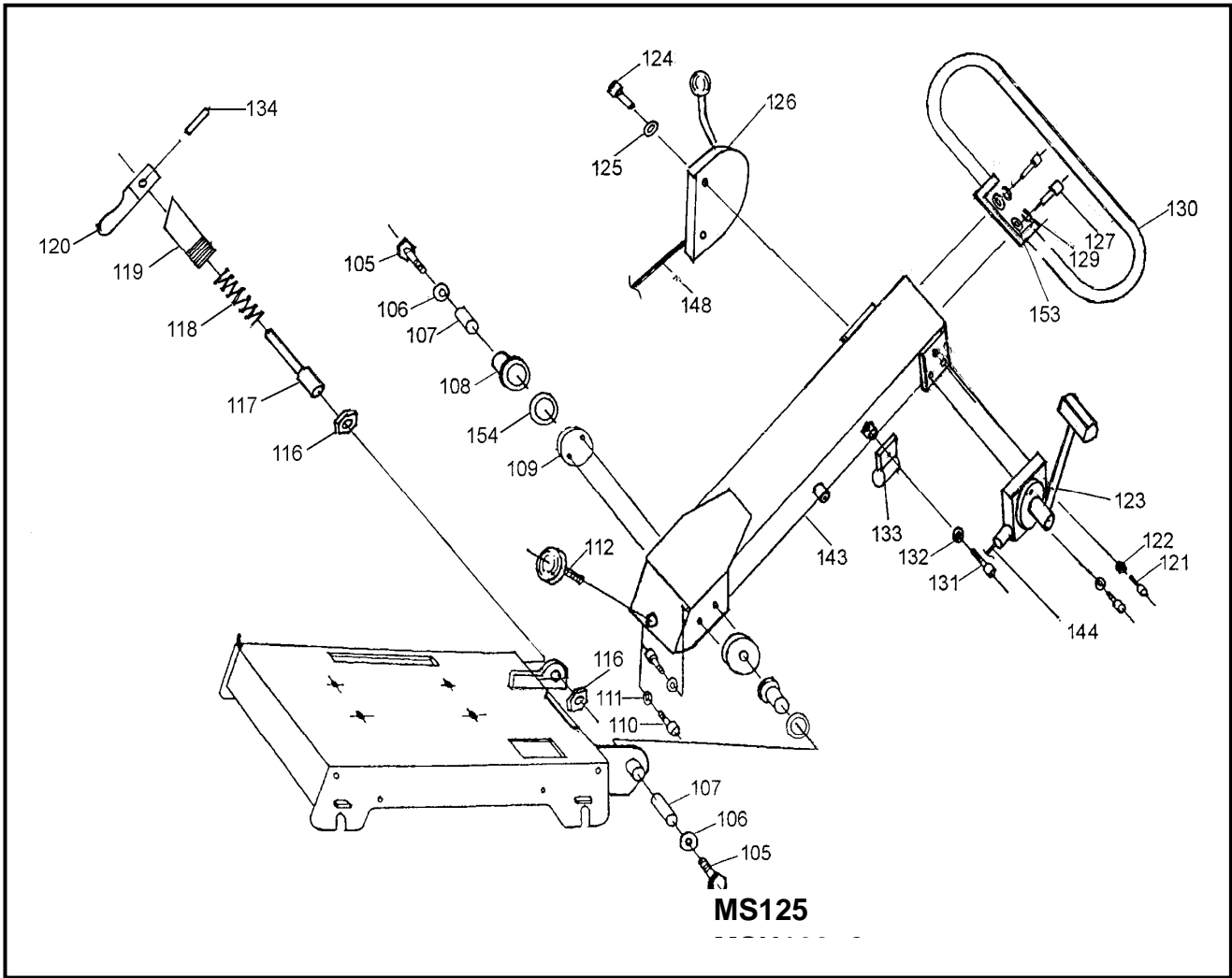


**MS125 MSH160 & MSH160E PARTS LIST 3**

## MS125 MSH160 & MSH160E PARTS PRICE LIST 3

| ITEM NO | PART NO    | DESCRIPTION  | QTY | UNIT PRICE | PRICE IN SET |
|---------|------------|--|-----|------------|--------------|
| 40      | 3002001    | EXCITER BOX FOR MSH160 & MSH160E                       | 1   | USD 61.54  | USD 61.54    |
|         | 3002001-2  | EXCITER BOX FOR MS125                                  | 1   | USD 51.28  | USD 51.28    |
| 41      | 3002002    | BOX COVER  | 1   | USD 22.74  | USD 22.74    |
| 42      | 0700008-25 | BOLT M8 x 25-GB70                                      | 9   | USD 0.05   | USD 0.46     |
| 43      | 0930008    | SPRING WASHER8-GB93                                    | 30  | USD 0.03   | USD 1.03     |
| 44      | 0119008    | PIN BOLT8-GB119  | 2   | USD 0.22   | USD 0.44     |
| 45      | 0283006    | BEARING32206-GB283                                     | 2   | USD 9.40   | USD 18.80    |
| 46      | 0987752    | OIL SEAL $\phi$ 52 x $\phi$ 28 x 7-GB9877.1            | 1   | USD 1.37   | USD 1.37     |
| 47      | 3002003    | BEARING COVER  | 1   | USD 2.74   | USD 2.74     |
| 48      | 0700008-20 | BOLT M8 x 20-GB70                                      | 12  | USD 0.02   | USD 0.27     |
| 49      | 3002004    | PULLEY   | 1   | USD 4.40   | USD 4.40     |
| 50      | 3002005    | WASHER   | 1   | USD 0.27   | USD 0.27     |
| 51      | 0109608    | KEY C20 x 8-GB1096                                     | 1   | USD 0.22   | USD 0.22     |
| 52      | 0578308    | BOLT M8 x 20-GB5783                                    | 1   | USD 0.04   | USD 0.04     |
| 53      | 3002006    | BEARING COVER  | 2   | USD 2.74   | USD 5.47     |
| 54      | 0276006    | BEARING60206-GB276                                     | 2   | USD 9.40   | USD 18.80    |
| 55      | 3002007    | PINCH CLAMP (MSH160 & MSH160E ONLY)                    | 1   | USD 2.57   | USD 2.57     |
| 56      | 3002008    | BOLT M20 (MSH160 & MSH160E ONLY)                       | 1   | USD 1.78   | USD 1.78     |
| 57      | 3002009    | BOLT (MSH160 & MSH160E ONLY)                           | 1   | USD 0.18   | USD 0.18     |
| 58      | 0854010    | WASHER10-GB854 (MSH160 & MSH160E ONLY)                 | 10  | USD 0.36   | USD 3.56     |
| 59      | 0617010    | NUT M10-GB6170 (MSH160 & MSH160E ONLY)                 | 1   | USD 0.09   | USD 0.09     |
| 60      | 0910003    | SPLIT PIN $\phi$ 2.5 x 20-GB91 (MSH160 & MSH160E ONLY) | 1   | USD 0.59   | USD 0.59     |
| 61      | 3002010    | SPINDLE FOR MSH160 & MSH160E                           | 1   | USD 13.33  | USD 13.33    |
|         | 3002010-2  | SPINDLE FOR MS125                                      | 1   | USD 11.11  | USD 11.11    |
| 62      | 3002011    | UNBALANCE WEIGHT FOR MSH160 & MSH160E                  | 1   | USD 11.62  | USD 11.62    |
|         | 3002011-2  | UNBALANCE WEIGHT FOR MS125                             | 1   | USD 9.91   | USD 9.91     |
| 63      | 0894040    | RETAINING RING40-GB894                                 | 2   | USD 0.09   | USD 0.17     |
| 65      | 3002013    | DIRECTION PIN  | 1   | USD 1.28   | USD 1.28     |
| 66      | 0730008    | BOLT M8 x 25   | 1   | USD 0.22   | USD 0.22     |
| 67      | 3002014    | SPINDLE  | 1   | USD 1.34   | USD 1.34     |
| 68      | 3002015    | DIRECTION HOUSING                                      | 1   | USD 13.33  | USD 13.33    |
| 69      | 3002016    | ROTARY COVER   | 1   | USD 1.56   | USD 1.56     |
| 70      | 3002017    | WAHSER   | 1   | USD 0.68   | USD 0.68     |
| 71      | 0930005    | SPRING WASHER5-GB93                                    | 4   | USD 0.01   | USD 0.05     |
| 72      | 0700005    | BOLT M5 X 15-GB70                                      | 4   | USD 0.01   | USD 0.03     |
| 73      | 3002018    | SPINDLE  | 1   | USD 2.74   | USD 2.74     |

|     |            |                                       |   |           |           |
|-----|------------|---------------------------------------|---|-----------|-----------|
| 74  | 3002019    | BASE COVER                            | 1 | USD 3.08  | USD 3.08  |
| 75  | 0345226    | O RING25.8 X 2.65-GB3452.1            | 1 | USD 0.22  | USD 0.22  |
| 76  | 0578308    | BOLT M8 X 25-GB5783                   | 2 | USD 0.03  | USD 0.07  |
| 77  | 3002020    | BOARD COVER                           | 1 | USD 0.84  | USD 0.84  |
| 78  | 3002021    | GASKET COVER                          | 1 | USD 0.32  | USD 0.32  |
| 79  | 0700006    | BOLT M6 X 18-GB70                     | 3 | USD 0.01  | USD 0.04  |
| 80  | 0930006    | SPRING WASHER6-GB93                   | 3 | USD 0.01  | USD 0.02  |
| 81  | 0700008-30 | BOLT M8 X 30-GB70                     | 4 | USD 0.03  | USD 0.14  |
| 82  | 0578614    | BOLT M14 X 1.5 X 20-GB5786            | 1 | USD 0.34  | USD 0.34  |
| 83  | 3002022    | SPRING WASHER                         | 1 | USD 0.43  | USD 0.43  |
| 84  | 0894042    | RETAINING RING42-GB894                | 3 | USD 0.09  | USD 0.26  |
| 85  | 3002023    | COVER GASKET                          | 3 | USD 0.43  | USD 1.28  |
| 86  | 3002024    | GEAR                                  | 1 | USD 12.82 | USD 12.82 |
| 87  | 0109612    | KEY A12 X 20-GB1096                   | 1 | USD 0.22  | USD 0.22  |
| 88  | 3002025    | SPACER                                | 1 | USD 0.77  | USD 0.77  |
| 89  | 3002026    | PULLEY SHAFT FOR MSH160 & MSH160E     | 1 | USD 10.26 | USD 10.26 |
|     | 3002026-2  | PULLEY SHAFT FOR MS125                | 1 | USD 8.55  | USD 8.55  |
| 90  | 0109612    | KEY A12 X 50-GB1096                   | 1 | USD 0.56  | USD 0.56  |
| 91  | 3002027    | UNBALANCE WEIGHT FOR MSH160 & MSH160E | 1 | USD 10.26 | USD 10.26 |
|     | 3002027-2  | UNBALANCE WEIGHT FOR MS125            | 1 | USD 8.55  | USD 8.55  |
| 92  | 0578208    | BOLT M8 X 15-GB5782                   | 4 | USD 0.03  | USD 0.14  |
| 93  | 3002028    | BELT GUARD                            | 1 | USD 4.27  | USD 4.27  |
| 94  | 0276008    | BEARING 16008-GB276                   | 2 | USD 2.74  | USD 5.47  |
| 95  | 3002012-1  | CLUTCH BODY                           | 2 | USD 6.32  | USD 12.65 |
| 96  | 3002012-2  | GEAR                                  | 1 | USD 15.04 | USD 15.04 |
| 97  | 3002012-3  | BOLT                                  | 4 | USD 0.10  | USD 0.41  |
| 98  | 0617008    | NUT M8-GB6170                         | 4 | USD 0.05  | USD 0.21  |
| 99  | 0910002    | SPLIT PIN $\phi$ 2X20-GB91            | 4 | USD 0.01  | USD 0.02  |
| 149 | 3002029    | OIL SEAL                              | 1 | USD 0.60  | USD 0.60  |
| 150 | 3002030    | SPACER                                | 1 | USD 0.17  | USD 0.17  |
| 151 | 3002031    | OIL SEAL GASKET                       | 1 | USD 0.85  | USD 0.85  |
| 152 | 3002032    | OIL SEAL GASKET                       | 1 | USD 3.08  | USD 3.08  |



## MS125 MSH160 & MSH160E PARTS PRICE LIST 4

| ITEM NO | PART NO     | DESCRIPTION                            | QTY | UNIT PRICE | PRICE IN SET |
|---------|-------------|--|-----|------------|--------------|
| 105     | 0578012-70  | NUT M12 X 70 - GB5780 FOR MSH160 & MSH | 2   | USD 0.51   | USD 1.03     |
|         | 0578012-60  | NUT M12 X 60 - GB5780 FOR MS125        | 2   | USD 0.43   | USD 0.85     |
| 106     | 0950012     | WASHER 12 -GB95                        | 2   | USD 0.34   | USD 0.68     |
| 107     | 3006010     | COLLAR FOR MSH160 & MSH160E            | 2   | USD 0.60   | USD 1.20     |
|         | 3006010-2   | COLLAR FOR MS125                       | 2   | USD 0.50   | USD 1.00     |
| 108     | 3006012     | NYLON COLLAR FOR MSH160 & MSH160E      | 2   | USD 0.51   | USD 1.03     |
|         | 3006012-2   | NYLON COLLAR FOR MS125                 | 2   | USD 0.43   | USD 0.85     |
| 109     | 3006400     | VIBRATION DAMPER FOR MSH160 & MSH160E  | 2   | USD 6.84   | USD 13.68    |
|         | 3006400-2   | VIBRATION DAMPER FOR MS125             | 2   | USD 5.69   | USD 11.38    |
| 110     | 0578008-30  | NUT M8 X 30 - GB5780                   | 4   | USD 0.04   | USD 0.17     |
| 111     | 0950008     | WASHER 8 - GB95                        | 4   | USD 0.04   | USD 0.17     |
| 112     | 3006200     | VIBRATION DAMPER                       | 1   | USD 1.20   | USD 1.20     |
| 116     | 0617320     | BOLT M20 X 1.5 - GB6173                | 2   | USD 0.60   | USD 1.20     |
| 117     | 3006004     | PIN                                    | 1   | USD 0.68   | USD 0.68     |
| 118     | 3006005     | SPRING                                 | 1   | USD 0.34   | USD 0.34     |
| 119     | 3006007     | SCREW ROD                              | 1   | USD 1.20   | USD 1.20     |
| 120     | 3006009     | PULLING HANDLE                         | 1   | USD 0.34   | USD 0.34     |
| 121     | 0701006-40  | NUT M6 X 40 - GB701                    | 3   | USD 0.04   | USD 0.13     |
| 122     | 0859006     | SPRING WASHER 6 - GB859                | 3   | USD 0.04   | USD 0.13     |
| 123     | 3006006-3   | TRAVEL LEVER                           | 1   | USD 15.56  | USD 15.56    |
| 124     | 0701008-30  | NUT M8 X 30 - GB701                    | 2   | USD 0.04   | USD 0.09     |
| 125     | 0950008     | WASHER 8 - GB95                        | 2   | USD 0.04   | USD 0.09     |
| 126     | AR680805001 | THROTTLE LEVER ASSY. (OPTIONAL)        | 1   | USD 9.40   | USD 9.40     |
| 127     | 0701008-30  | NUT M8 X 30 - GB701                    | 2   | USD 0.05   | USD 0.10     |
| 129     | 0950008     | WASHER 8 - GB95                        | 2   | USD 0.05   | USD 0.10     |
| 130     | 3006500     | HANDLE FOR MSH160 & MSH160E            | 1   | USD 2.33   | USD 2.33     |
|         | 3006500-2   | HANDLE FOR MS125                       | 1   | USD 1.95   | USD 1.95     |
| 131     | 0701008-20  | NUT M8 X 20 - GB701 (OPTIONAL)         | 1   | USD 0.04   | USD 0.04     |
| 132     | 0859006     | SPRING WASHER 6 - GB859 (OPTIONAL)     | 1   | USD 0.04   | USD 0.04     |
| 133     | 3006601     | CLIP (OPTIONAL)                        | 1   | USD 0.60   | USD 0.60     |
| 134     | 3006013     | KEY                                    | 1   | USD 0.31   | USD 0.31     |
| 143     | 3006014     | HANDLE                                 | 1   | USD 19.15  | USD 19.15    |
| 144     | 3006015-3   | CABLE FOR MSH160 & MSH160E             | 1   | USD 9.57   | USD 9.57     |
|         | 3006015-3A  | CABLE FOR MS125                        | 1   | USD 7.98   | USD 7.98     |
| 148     | A3006017-1  | THROTTLE WIRE (OPTIONAL)               | 1   | USD 2.05   | USD 2.05     |
| 153     | 0930008     | SPRING WASHER 8 - GB95                 | 2   | USD 0.03   | USD 0.07     |
| 154     | 3006018     | NYLON COLLAR FOR MSH160 & MSH160E      | 2   | USD 0.51   | USD 1.03     |
|         | 3006018-2   | NYLON COLLAR FOR MS125                 | 2   | USD 0.43   | USD 0.85     |