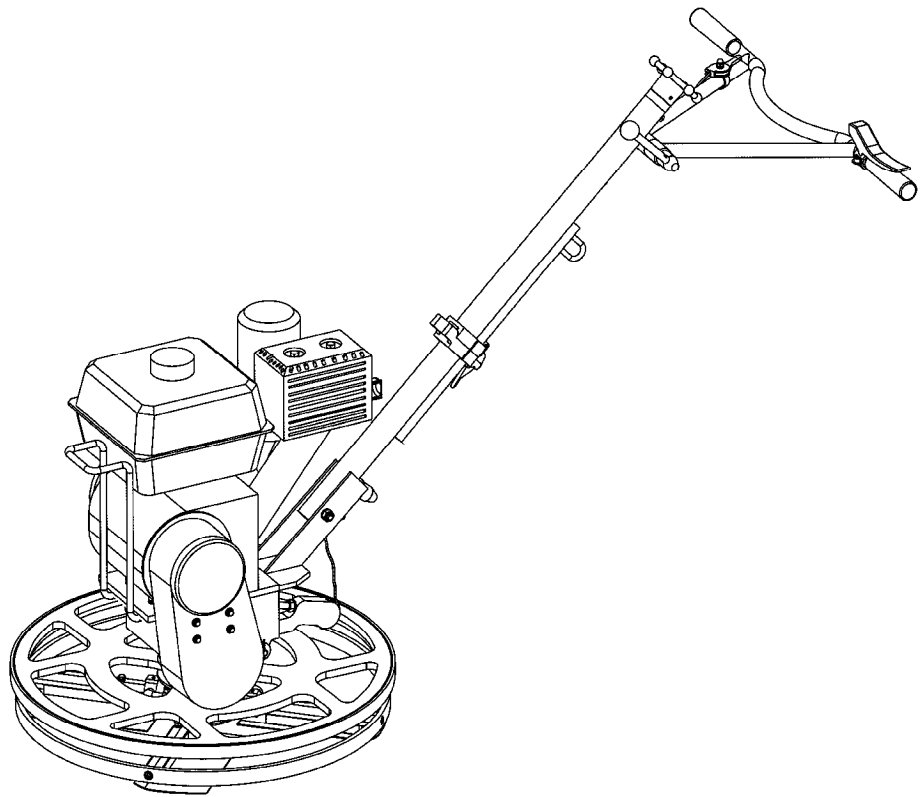
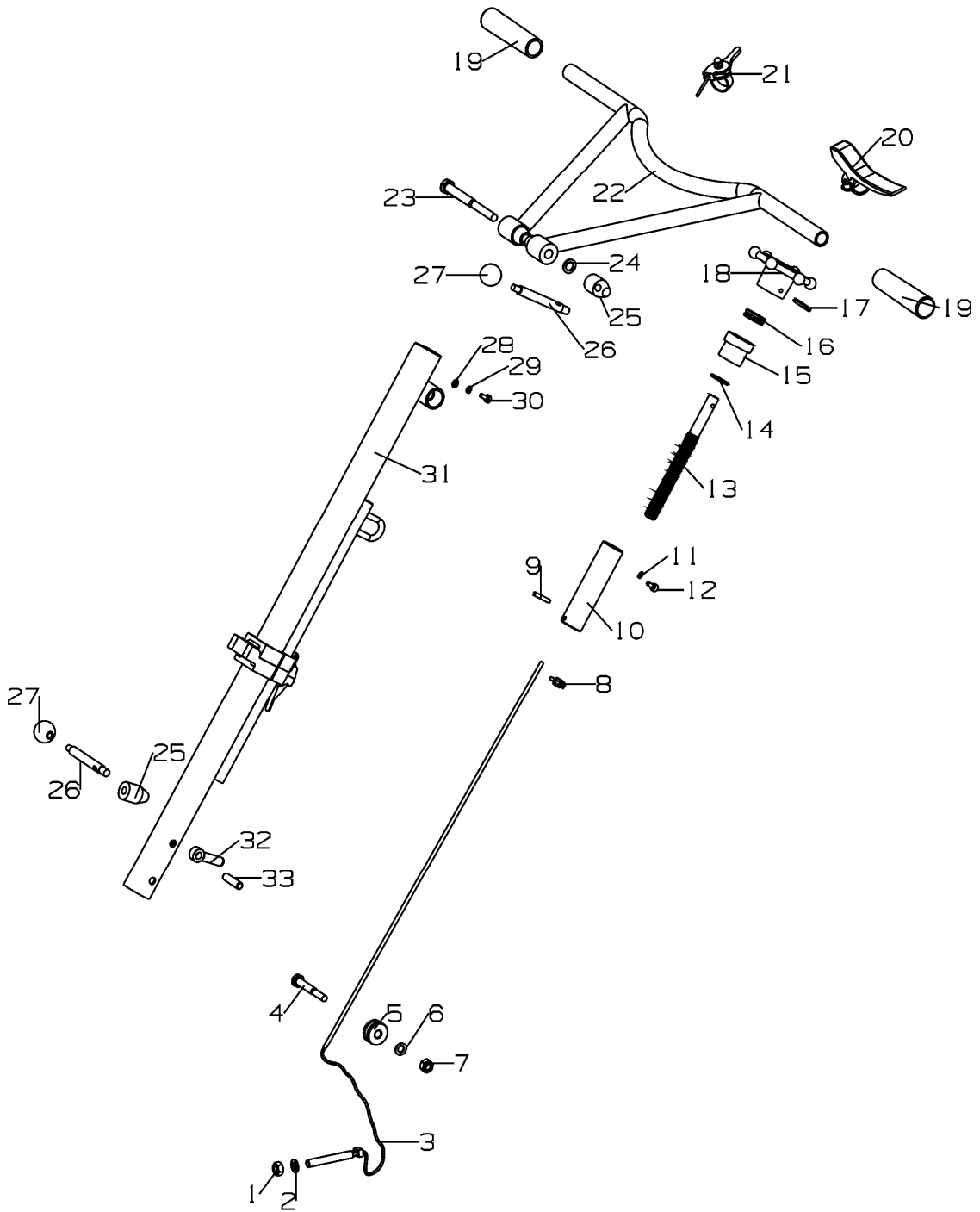

Parts Book

Edging Power Trowel

CT424 Series

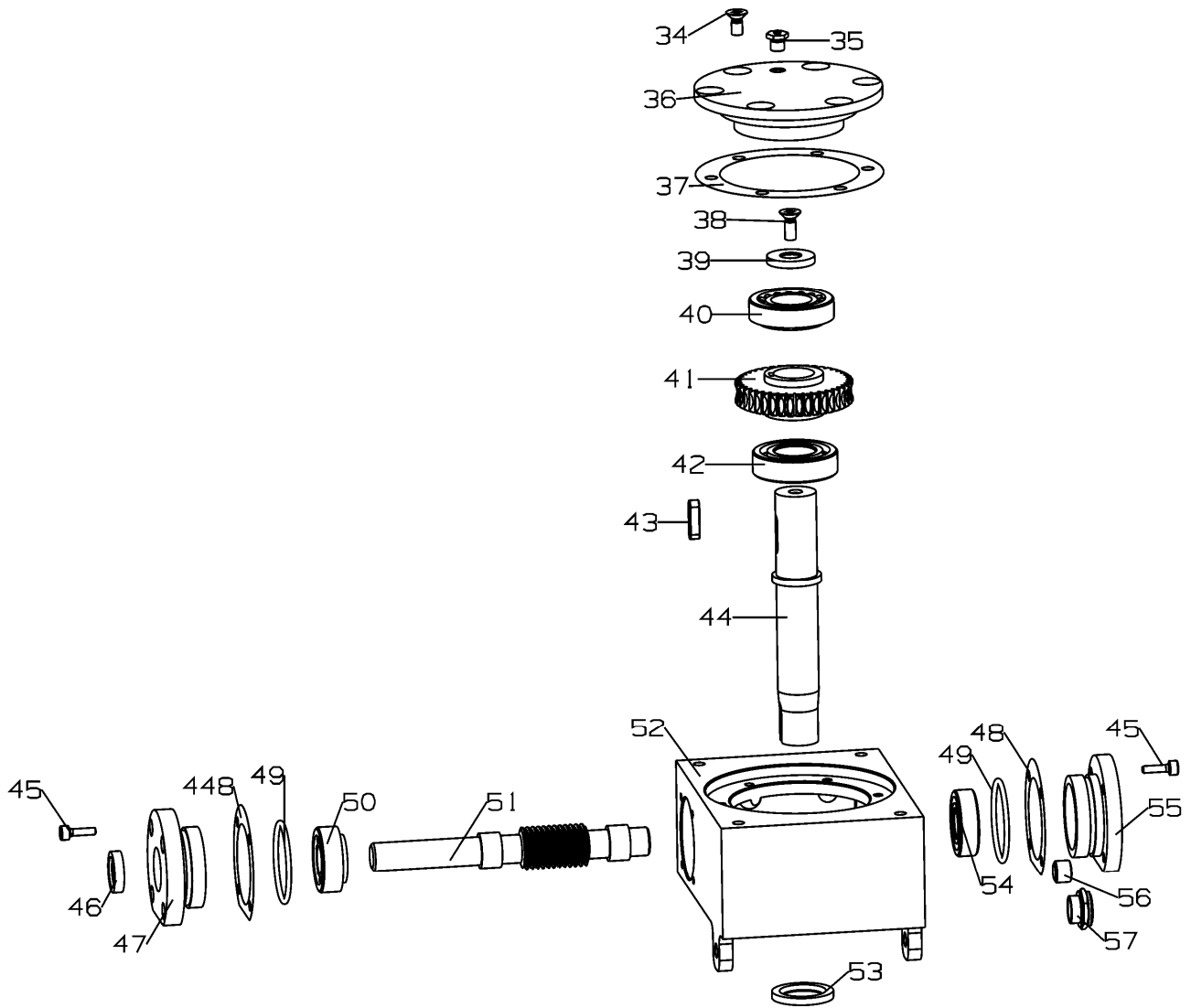




Edging Power Trowel Parts List

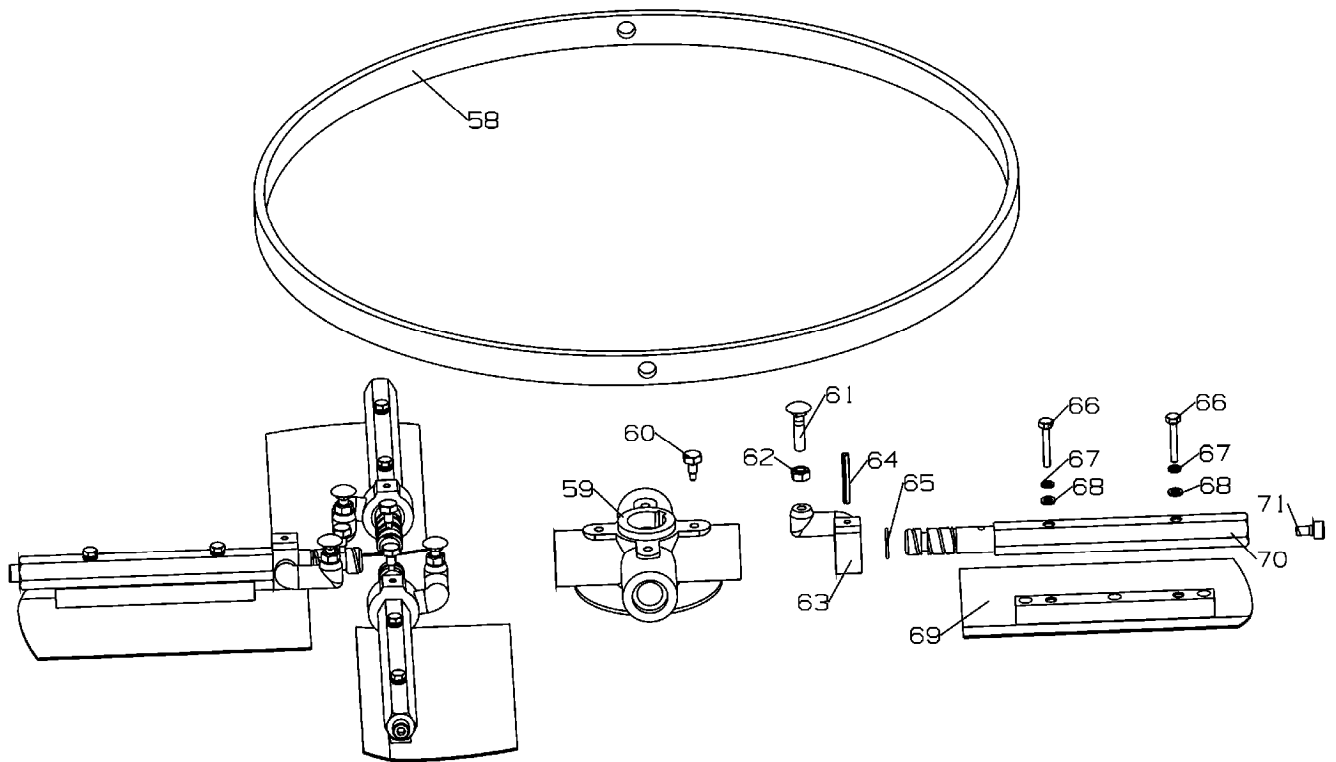
CT424

ITEM NO.	PART NO.	QTY	DESCRIPTION
1	00889010	1	Lock Nut, M10
2	00096010	1	Washer
3	T42401001	1	Wire
4	05781010-70	1	Hex Screw, M10x70
5	T43601007	1	Pulley
6	00096010	1	Washer
7	00889010	1	Lock Nut, M10
8	00889003	1	Clamp
9	00889005	1	Cotter Pin
10	T43601002	1	Pitch Nut
11	00096006	1	Spring Washer
12	00070006-12	1	Socket Head Screw
13	T43601003	1	Shaft, Pitch Control
14	00095015	1	Washer
15	T43601004	1	Bearing Holder
16	00051103	1	Bearing
17	00879005-40	1	Cotter Pin
18	T43601006	1	Pitch Control Knob
19	T42401002	2	Handle Grip
20	T42401003	1	Safety Stop Switch
21	T42401004	1	Throttle Control Assy.
22	T42401005	1	Adjustable Handle
23	05781012-130	1	Hex Head Screw, M12x130
24	00096012	1	Washer
25	T42401006	2	Nut
26	T42401007	2	Screw
27	T42401008	2	Ball
28	00093006	1	Spring Washer
29	00095006	1	Washer
30	05781006-12	1	Hex Screw, M6x12
31	T42401009	1	Handle
32	00798012-45	1	Screw, M12x45
33	00119010-42	1	Cotter Pin

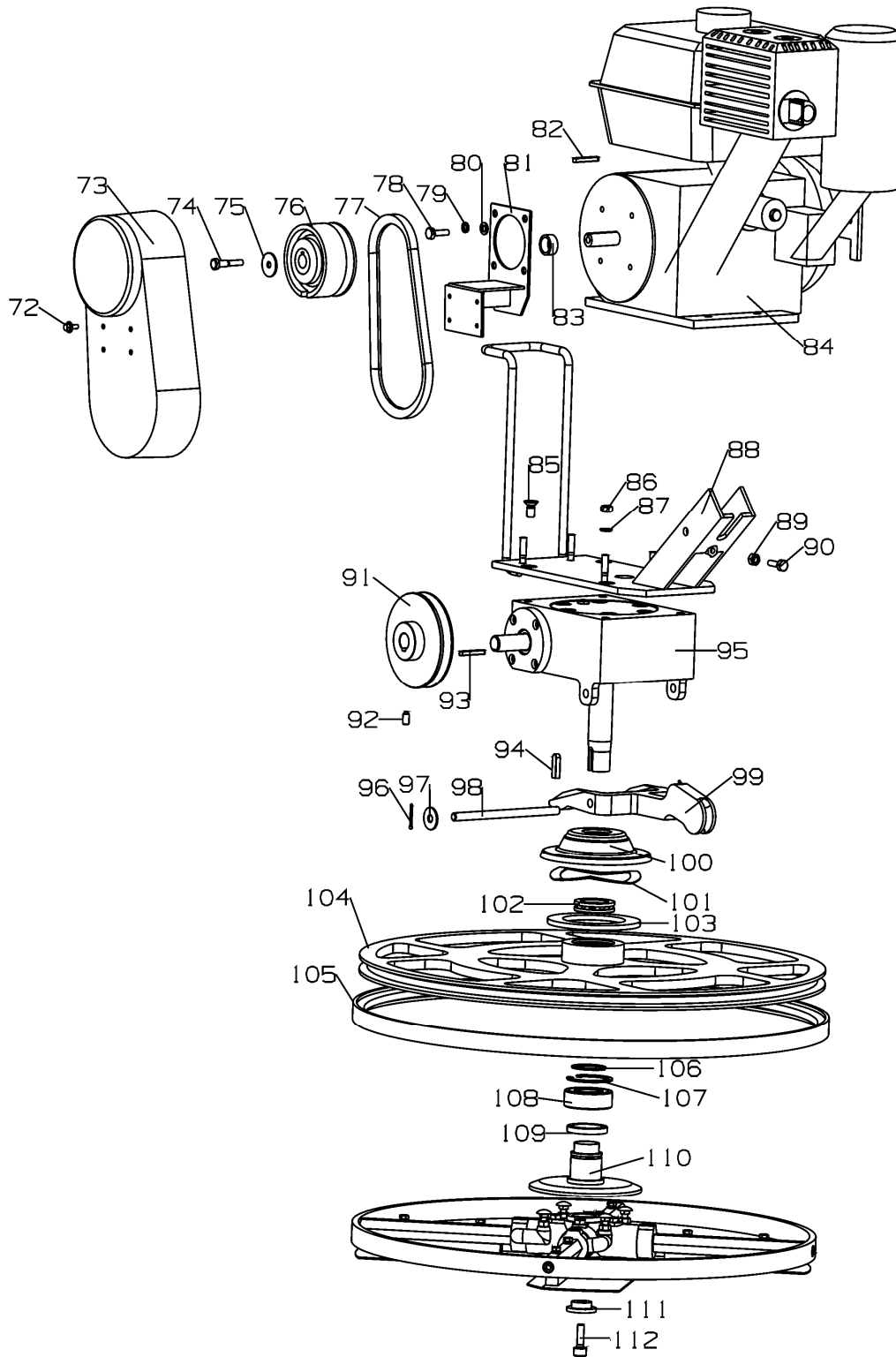


Edging Power Trowel Parts List**CT424**

ITEM NO.	PART NO.	QTY	DESCRIPTION
34	00070008-20	6	Sunk Screw, M8x20
35	T42402001	1	Air Valve
36	T42402002	1	Gearbox Cover
37	T42402003	1	Paper Gasket
38	00070008-20	1	Sunk Screw, M8x20
39	T42402004	1	Gasket
40	00030206	1	Tapered Roller Bearing
41	T42402005	1	Worm Gear
42	00006206	1	Ball Bearing
43	01096008-28	1	Key
44	T42402006	1	Shaft
45	00070006-20	8	Socket Head Screw, M6x20
46	13871020	1	Oil Seal
47	T42402007	1	Bearing Cover
48	T42402008	2	Paper Gasket
49	03452053	2	Rubber Seal
50	00030204	1	Tapered Roller Bearing
51	T42402009	1	Worm
52	T42402010	1	Gearbox Case
53	13871030	1	Oil Seal
54	00006204	1	Ball Bearing
55	T42402011	1	Bearing Cover
56	G42402001	1	Plug (threaded)
57	G42402002	1	Sight Glass

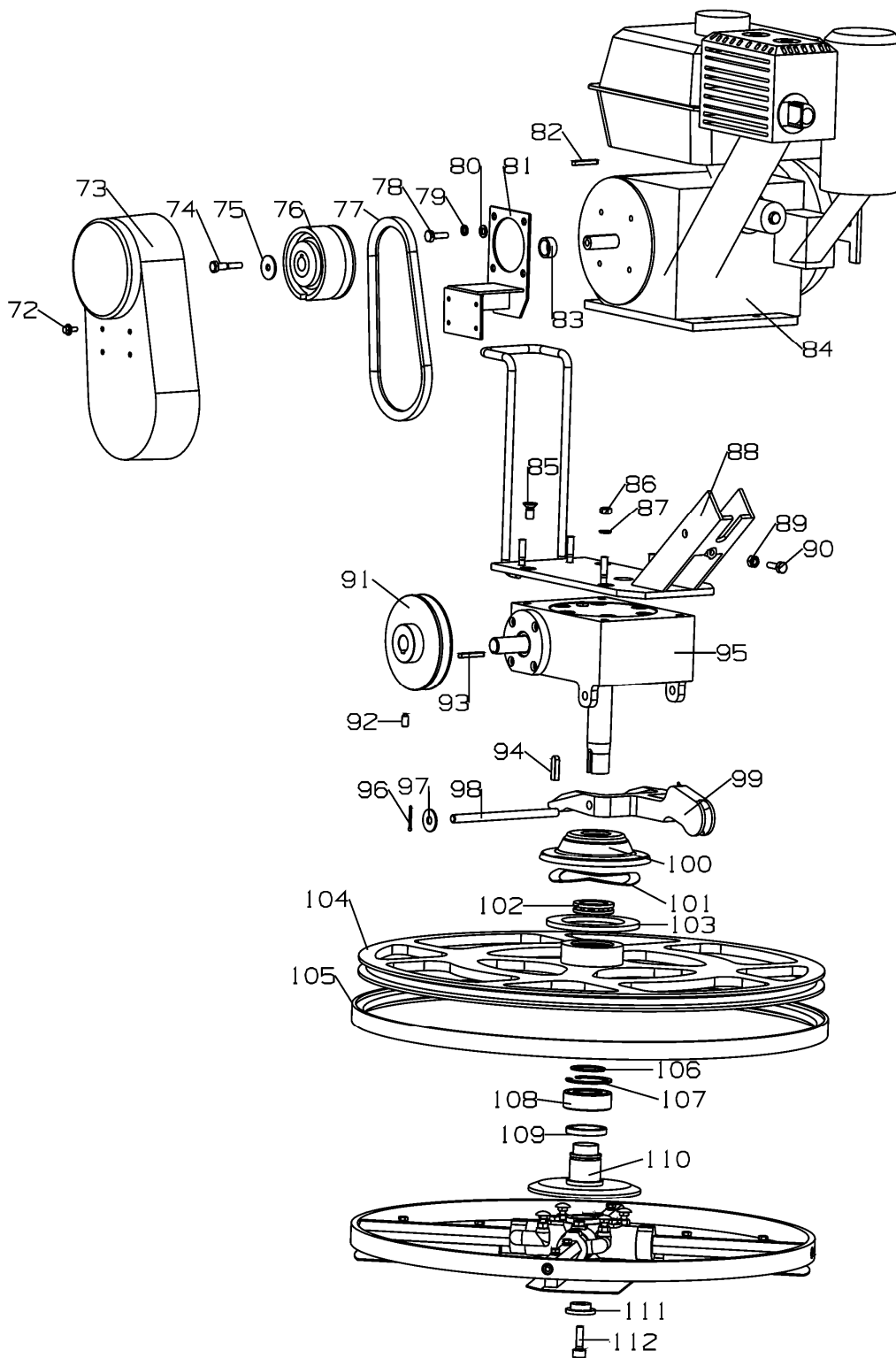


ITEM NO.	PART NO.	QTY	DESCRIPTION
58	T42403001	1	Stabilizer Ring
59	T42403002	1	Spider Plate
60	T42403003	4	Screw
61	00012008-30	4	Screw, M8x30
62	06170008	4	Hex Nut, M8
63	T42403004	4	Mount
64	00879005-40	4	Cotter Pin
65	13871020	4	Oil Seal
66	G42403001	8	Hex Head Screw
67	00093006	8	Spring Washer
68	00096006	8	Washer
69	CCB0409	4	Combination Blade, 4.75"x9"
70	T42403005	4	Trowel Arm Extended
71	00070008-12	4	Socket Head Screw



Edging Power Trowel Parts List
CT424

ITEM NO.	PART NO.	QTY	DESCRIPTION
72	05789006-12	4	Screw, M6x12
73	T42404001	1	Belt Guard
74	G42404001	1	Hex Screw
75	G42404002	1	Washer
76	T42404002	1	Clutch
77	G42404003	1	V-belt
78	G42404004	4	Hex Screw
79	00096006	4	Spring Washer
80	00096006	4	Washer
81	T42404003	1	Belt Guard Plate
82	01096005-30	1	Key
83	T43603004	1	Retaining Ring
84	E00160H1	1	Engine, Honda GX160
	E00160U2	1	Engine, Honda GX160 U Type
	E00160FC	1	Engine, Chinese Petrol 5.5hp
	E00170RC	1	Engine, Robin EX17
85	00070010-20	4	Sunk Screw, M10x20
86	00889008	4	Lock Nut, M8
87	00096008	4	Washer
88	T42404004	1	Engine Mounted Plate
89	06170008	1	Hex Nut, M8
90	00070008-20	1	Hex Screw, M8x20
91	T42404005	1	Pulley
92	00078008-16	1	Hex Head Lock Screw, M8x16
93	01096005-30	1	Key
94	01096008-30	1	Key
95	T42404006	1	Gearbox Assy.



ITEM NO.	PART NO.	QTY	DESCRIPTION
96	00091002-25	2	Pin
97	00096010	2	Washer
98	T42404007	1	Shaft
99	T42404008	1	Yoke
100	T42404009	1	Bearing Holder
101	T42404010	1	Washer
102	G42404005	1	Bearing
103	T42404011	1	Flange
104	T42404012	1	Guard Ring
105	T42404013	1	Alumiunium Ring
106	00894040	1	Retaining Ring
107	00893055	1	Retaining Ring
108	05801140	1	Bearing
109	0006808	1	Bearing
110	T42404014	1	Blade Lifting Ring
111	T42404015	1	Washer
112	00070012-30	1	Socket Head Screw, M12x30

www.conmec.cn

CONMEC ENGINEERING CO., LTD

Add: No.88, 2# Industrial Avenue, Anwu Road, Wu Qiao County, Fengxian District, Shanghai, China

Tel: 86 (0)21 57407318

Fax: 86 (0)21 57406955

E-mail: sales@conmec.cn