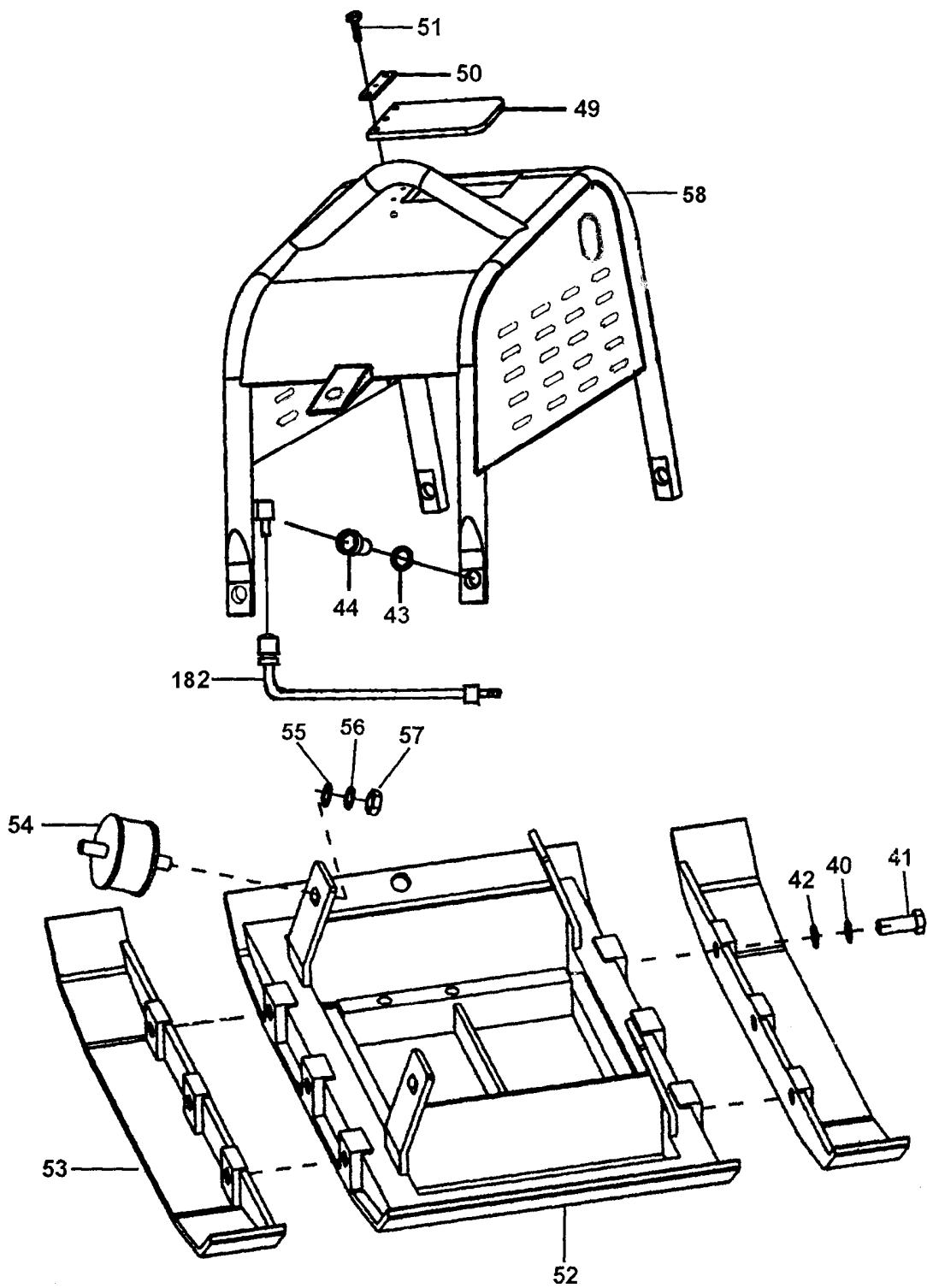


MS330 PARTS LIST 1

NOTE: ITEM NO.2 ASSEMBLY INCLUDING ITEM NO.59-93(PARTS CAN SUPPLIED SEPARATELY).
 ITEM NO.7 ASSEMBLY INCLUDING ITEM NO.124-139(PARTS CAN SUPPLIED SEPARATELY).
 ITEM NO.22 ASSEMBLY INCLUDING ITEM NO.140-181(PARTS CAN SUPPLIED SEPARATELY).

MS330 PARTS LIST 1

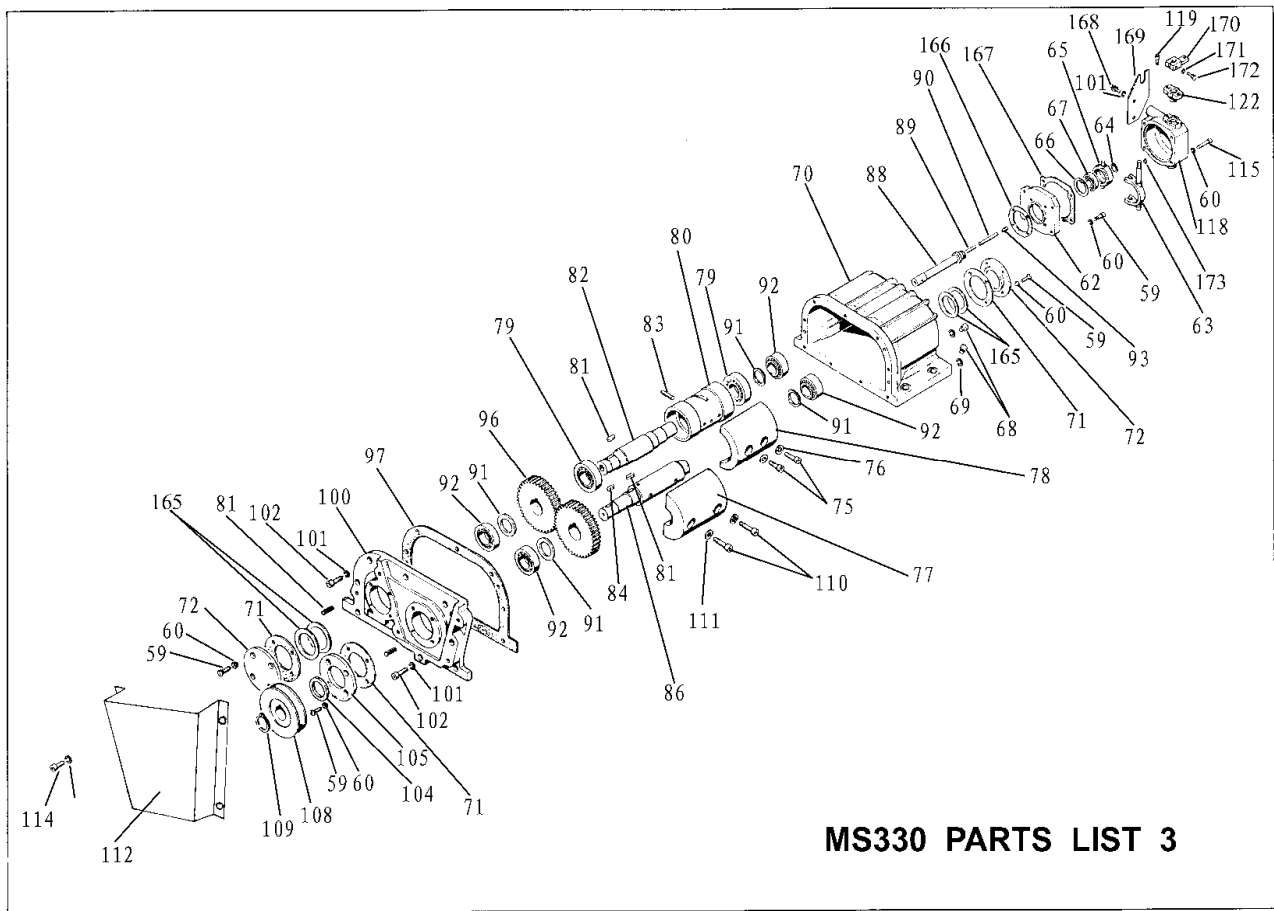
ITEM NO	PART NO	DESCRIPTION	QTY	UNIT PRICE	PRICE IN SET
1	H330100000	BASE PLATE ASSEMBLY	1	USD 261.71	USD 261.71
2	H330200000	VIBRATION BOX	1	USD 452.99	USD 452.99
3	T97.1-18	WASHER 18	4	USD 0.02	USD 0.06
4	T94.1-18	SPRING WASHER 18	4	USD 0.01	USD 0.05
5	T5781-M18X55	BOLT M18X55	4	USD 0.51	USD 2.05
6	H330600000-A	PROTECTION FRAME ASSEMBLY	1	USD 82.05	USD 82.05
7	H330300000	ENGINE MOUNTING PLATE ASSEMBLY	1	USD 224.79	USD 224.79
8	T6185.1-M6	BOLT M6	2	USD 0.01	USD 0.01
9	T97.1-6	WASHER 6	2	USD 0.01	USD 0.01
10	T94.1-6	NUT M6	2	USD 0.00	USD 0.01
11	H330400001	PROTECTION GUARD	1	USD 8.55	USD 8.55
12	T97.1-10	WASHER 10	4	USD 0.01	USD 0.04
13	T94.1-10	SPRING WASHER 10	4	USD 0.01	USD 0.03
14	T5781-M10X100	BOLT M10X100	4	USD 0.15	USD 0.62
15	T5781-M8X30	BOLT M8X30	3	USD 0.05	USD 0.14
16	T94.1-8	SPRING WASHER 8	3	USD 0.01	USD 0.02
17	T97.1-8	WASHER 8	3	USD 0.01	USD 0.03
18	H330400002	ANGLE PLATE	1	USD 0.34	USD 0.34
19	H330400003	WIRE (L)	1	USD 0.85	USD 0.85
20	H330400004	WIRE (R)	1	USD 0.85	USD 0.85
21	H330400005	BATTERY	1	USD 51.28	USD 51.28
22	H330500000-A	HANDLE ASSEMBLY	1	USD 122.56	USD 122.56
23	T97.1-16	WASHER 16	2	USD 0.01	USD 0.03
24	T94.1-16	SPRING WASHER 16	2	USD 0.01	USD 0.02
25	T5781-M16X55	BOLT M16X55	2	USD 0.43	USD 0.85
26	H330700001	V-BELT GUARD	1	USD 17.09	USD 17.09
27	T5781-M10X30	BOLT M10X30	2	USD 0.09	USD 0.17
28	T94.1-10	SPRING WASHER 10	2	USD 0.01	USD 0.02
29	T97.1-10	WASHER 10	2	USD 0.01	USD 0.02
30	H330700002-1	V-BELT FOR DIESEL ENGINE	1	USD 4.27	USD 4.27
	H330700002-2	V-BELT FOR PETROL ENGINE	1	USD 4.27	USD 4.27
31	H330800001-1	SCREW M10X1.25X25 FOR DIESEL ENGINE	1	USD 0.03	USD 0.03
	H330800001-2	SCREW 7/16-20 FOR PETROL ENGINE	1	USD 0.03	USD 0.03
32	H330800002-1	SPRING WASHER 10 FOR DIESEL ENGINE	1	USD 0.03	USD 0.03
	H330800002-2	SPRING WASHER 12 FOR PETROL ENGINE	1	USD 0.03	USD 0.03
33	H330800003-1	WASHER 10 FOR DIESEL ENGINE	1	USD 0.03	USD 0.03
	H330800003-2	WASHER 12 FOR PETROL ENGINE	1	USD 0.03	USD 0.03
34	H330800004-1	ENGINE PULLEY FOR DIESEL	1	USD 47.86	USD 47.86
	H330800004-2	ENGINE PULLEY FOR CHINESE	1	USD 47.86	USD 47.86
	H330800004-3	ENGINE PULLEY FOR ROBIN	1	USD 47.86	USD 47.86
	H330800004-4	ENGINE PULLEY FOR HONDA	1	USD 47.86	USD 47.86
35	H330800005-1	KEY B6X40 GB1096 FOR DIESEL ENGINE	1	USD 0.17	USD 0.17
	H330800005-2	KEY 1/4X1 1/2 FOR PETROL ENGINE	1	USD 0.17	USD 0.17
36	T97.1-10	WASHER 10	8	USD 0.01	USD 0.08
37	T94.1-10	SPRING WASHER 10	4	USD 0.01	USD 0.03
38	T5781-M10X50	BOLT M10X50	4	USD 0.12	USD 0.48
39	H330900000-1	DIESEL ENGINE	1		----



MS330 PARTS LIST 2

MS330 PARTS LIST 2

ITEM NO	PART NO	DESCRIPTION	QTY	UNIT PRICE	PRICE IN SET
40	T94.1-20	SPRING WASHER 20	6	USD 0.02	USD 0.10
41	T5781-M20X55	BOLT M20X55	6	USD 0.60	USD 3.59
42	T97.1-20	WASHER 20	6	USD 0.02	USD 0.10
43	T94.1-12	SPRING WASHER 12	4	USD 0.01	USD 0.04
44	T70.1-M12X40	BOLT M12X40	4	USD 0.26	USD 1.03
49	H330600002	RUBBER PLATE	1	USD 6.50	USD 6.50
50	H330600003	FIXING PLATE	1	USD 1.37	USD 1.37
51	T5781-M8X30	BOLT M8X30	3	USD 0.05	USD 0.14
52	H330100001	BASE PLATE	1	USD 169.23	USD 169.23
53	H330100002	EXTENSION PLATE	2	USD 32.48	USD 64.96
54	H330100003	VIBRATION DAMPER	4	USD 7.69	USD 30.77
55	T97.1-16	WASHER 16	8	USD 0.01	USD 0.11
56	T94.1-16	SPRING WASHER 16	8	USD 0.01	USD 0.10
57	T6185.1-M16	NUT M16	8	USD 0.04	USD 0.34
58	H330600004-A	PROTECTION FRAME	1	USD 50.77	USD 50.77
182	H330600005	OIL DRAIN PIPE	1	USD 8.21	USD 8.21

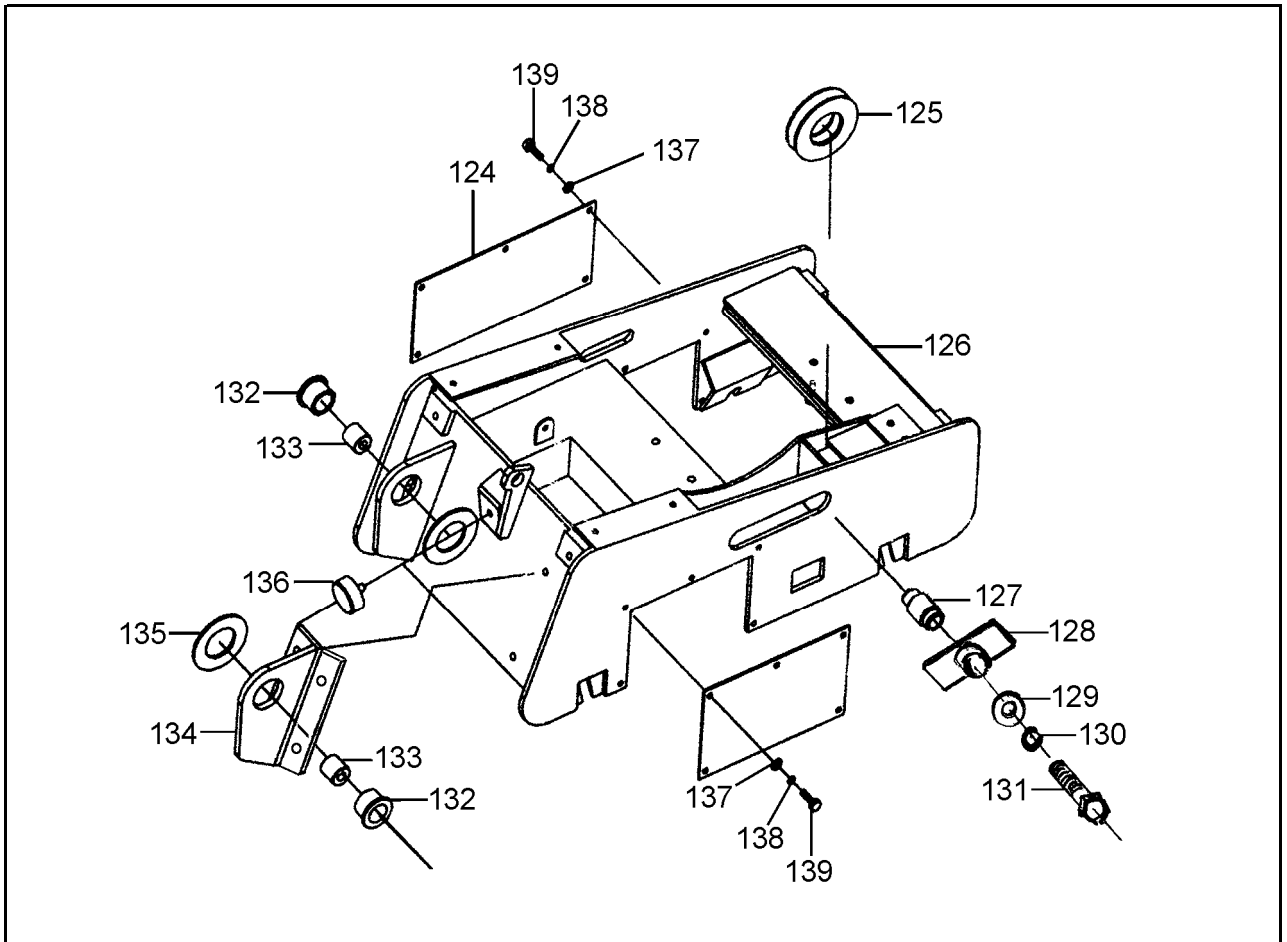


MS330 PARTS LIST 3

MS330 PARTS LIST 3

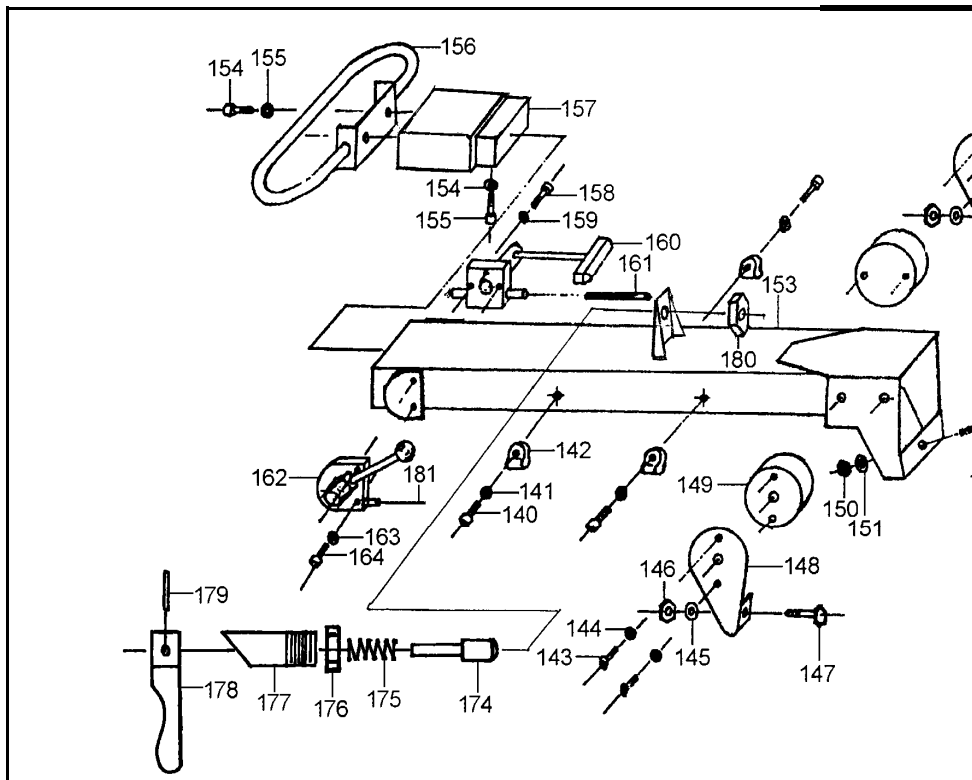
ITEM NO	PART NO	DESCRIPTION	QTY	UNIT PRICE	PRICE IN SET
59	T70.1-M8X25	BOLT M8X25	4	USD 0.07	USD 0.27
60	T94.1-8	SPRING WASHER 8	4	USD 0.01	USD 0.03
62	H330200001	PLATE	1	USD 3.42	USD 3.42
63	H330200002	SPINDLE	1	USD 12.14	USD 12.14
64	T894.1-20	RETAINING RING 20	1	USD 0.05	USD 0.05
65	H330200003	STEEL RING	1	USD 7.69	USD 7.69
66	T893.1-47	RETAINING RING 47	1	USD 0.17	USD 0.17
67	T276-204	BEARING 204	1	USD 1.37	USD 1.37
68	T5781-M14X1.5	BOLT M14X1.5	4	USD 0.38	USD 1.50
69	T97.1-14	WASHER 14	4	USD 0.01	USD 0.05
70	H330200004	EXCITER BOX	1	USD 61.54	USD 61.54
71	H330200005	COVER GASKET	1	USD 0.43	USD 0.43
72	H330200006	BEARING COVER	1	USD 2.56	USD 2.56
73	T94.1-8	SPRING WASHER 8	4	USD 0.01	USD 0.03
74	T5781-M8X20	BOLT M8X20	4	USD 0.04	USD 0.17
75	T5781-M12X25	BOLT M12X25	3	USD 0.31	USD 0.92
76	T94.1-12	SPRING WASHER 12	2	USD 0.01	USD 0.02
78	H330200007	UNBALANCE WEIGHT	1	USD 19.83	USD 19.83
77	H330200008	UNBALANCE WEIGHT	1	USD 21.54	USD 21.54
79	TSL183008A-C3	BEARING SL183008A-C3	1	USD 47.86	USD 47.86
80	H330200009	ROTARY COVER	1	USD 31.62	USD 31.62
81	T1096-A8X25	KEY 8X25	1	USD 0.34	USD 0.34
82	H330200010	SPINDLE	1	USD 17.26	USD 17.26
83	H330200011	PIN	1	USD 0.85	USD 0.85
84	T1096-A8X25	KEY 8X25	1	USD 0.34	USD 0.34
85	T1096-A8X25	KEY 8X25	1	USD 0.34	USD 0.34
86	H330200012	PULLEY SHAFT	1	USD 15.04	USD 15.04
87	TSL183008A-C3	BEARING	1	USD 47.86	USD 47.86
88	H330200013	SPINDLE	1	USD 5.13	USD 5.13
89	H330200014	PIN 6.5X60	1	USD 0.43	USD 0.43
90	H330200015	PIN 6.5X60	1	USD 0.43	USD 0.43
91	H330200016	WASHER	1	USD 1.03	USD 1.03
92	T283-32206	BEARING 32206	1	USD 8.55	USD 8.55
93	T77-M8X20	SCREW M8X20	1	USD 0.03	USD 0.03
94	H330200017	WASHER	1	USD 1.03	USD 1.03

95	T283-32206	BEARING 32206	1	USD 8.55	USD 8.55
96	H330200018	GEAR	2	USD 10.77	USD 21.54
97	H330200019	SPACER	1	USD 2.56	USD 2.56
98	H330200020	WASHER	1	USD 2.05	USD 2.05
99	T283-32206	BEARING 32206	2	USD 8.55	USD 17.09
100	H330200021	BOX COVER	1	USD 25.64	USD 25.64
101	T94.1-10	SPRING WASHER 10	9	USD 0.01	USD 0.08
102	T5781-M10X30	BOLT M10X30	9	USD 0.09	USD 0.77
103	H330200022	SPACER	2	USD 0.43	USD 0.85
104	T13871-FB30X50	OIL SEAL FB30X50	2	USD 1.37	USD 2.74
105	H330200023	BEARING COVER	1	USD 5.13	USD 5.13
106	T94.1-8	SPRING WASHER 8	9	USD 0.01	USD 0.06
107	T5781-M8X20	BOLT M8X20	8	USD 0.04	USD 0.34
108	H330200024	PULLEY	1	USD 7.69	USD 7.69
109	T894.1-28	RETAINING RING 28	1	USD 0.09	USD 0.09
110	T70.1-M12X40	BOLT M12X40	2	USD 0.26	USD 0.51
111	T94.1-12	SPRING WASHER 12	2	USD 0.01	USD 0.02
112	H330200025	BELT GUARD	1	USD 7.69	USD 7.69
113	T94.1-8	SPRING WASHER 8	4	USD 0.85	USD 3.42
114	T70.1-M8X16	BOLT M8X16	4	USD 0.07	USD 0.27
115	T5781-M8X60	BOLT M8X60	4	USD 0.09	USD 0.34
116	T94.1-8	SPRING WASHER 8	4	USD 0.01	USD 0.03
117	T97.1-8	WASHER 8	4	USD 0.01	USD 0.03
118	H330200026	DIRECTION HOUSING	1	USD 12.48	USD 12.48
119	T5781-M8X16	BOLT M8X16	2	USD 0.03	USD 0.07
120	T97.1-8	WASHER 8	2	USD 0.01	USD 0.02
121	T94.1-8	SPRING WASHER 8	2	USD 0.01	USD 0.01
122	H330200027	SELF-LUBRICATED BEARING	1	USD 10.60	USD 10.60
165	H330200028	SHIM	4	USD 0.34	USD 1.37
166	H330200029	SEAL	1	USD 0.85	USD 0.85
167	H330200030	SEAL	1	USD 0.85	USD 0.85
168	T5781-M10X25	BOLT M10X25	2	USD 0.06	USD 0.12
169	H330200031	SHIFTER PLATE	1	USD 2.39	USD 2.39
170	H330200032	SHIFTER ARM	1	USD 2.05	USD 2.05
171	T94.1-6	SPRING WASHER 6	1	USD 0.00	USD 0.00
172	T5781-M6X30	BOLT M6X30	1	USD 0.01	USD 0.01
173	H330200033	FORK KEY	1	USD 0.09	USD 0.09



MS330 PARTS LIST 4

ITEM NO	PART NO	DESCRIPTION	QTY	UNIT PRICE	PRICE IN SET
124	H330300001	OVERING PLATE	2	USD 1.71	USD 3.42
125	H330300002	ADJUSTING PULLEY	1	USD 9.57	USD 9.57
126	H330300003	ENGINE MOUNTING PLATE	1	USD 169.23	USD 169.23
127	H330300004	COLLAR	1	USD 1.20	USD 1.20
128	H330300005	ASSEMBLING PLATE	1	USD 4.27	USD 4.27
129	T97.1-16	WASHER 8	1	USD 0.01	USD 0.01
130	T94.1-16	SPRING WASHER 8	1	USD 0.01	USD 0.01
131	T5781-M16X55	BOLT M16X55	1	USD 0.43	USD 0.43
132	H330300006	NYLON COLLAR	2	USD 0.73	USD 1.45
133	H330300007	STEEL RING	2	USD 0.43	USD 0.85
134	H330300008	SUPPORTING PLATE	1	USD 5.13	USD 5.13
135	H330300009	NYLON WASHER	2	USD 0.26	USD 0.51
136	H330300010	RUBBER MOUNT	1	USD 1.37	USD 1.37
137	T97.1-8	WASHER 8	10	USD 0.01	USD 0.09
138	T94.1-8	SPRING WASHER 8	10	USD 0.01	USD 0.07
139	T5781-M8X20	BOLT M8X20	10	USD 0.04	USD 0.43



MS330 PARTS LIST 5

ITEM NO	PART NO	DESCRIPTION	QTY	UNIT PRICE	PRICE IN SET
140	T5781-M8X20	BOLT M8X20	1	USD 0.04	USD 0.04
141	T94.1-8	SPRING WASHER 8	1	USD 0.01	USD 0.01
142	H330500001	CLIP	3	USD 0.34	USD 1.03
143	T703-M8X20	SCREW M8X20	4	USD 0.01	USD 0.04
144	T861.1-8	WASHER 8	2	USD 0.01	USD 0.02
145	T97.1-10	WASHER 10	4	USD 0.01	USD 0.04
146	T6185.1-10	NUT M10	2	USD 0.02	USD 0.03
147	T5781-M10X30	SCREW M10X30	2	USD 0.09	USD 0.17
148	H330500002	STOP PLATE	2	USD 3.93	USD 7.86
149	H330500003	RUBBER MONUT	2	USD 6.50	USD 12.99
150	T5781-M10X25	BOLT M10X25	1	USD 0.06	USD 0.06
151	T94.1-10	SPRING WASHER 10	1	USD 0.01	USD 0.01
152	H330500004	VIBRATION DAMPER	1	USD 1.37	USD 1.37
153	H330500005-A	HANDLE	1	USD 27.52	USD 27.52
154	T94.1-10	SPRING WASHER 10	4	USD 0.01	USD 0.03
155	T5781-M10X25	BOLT M10X25	4	USD 0.06	USD 0.24
156	H330500006	HANDLE	1	USD 6.50	USD 6.50
157	H330500007	ASSEMBLING CAST	1	USD 12.65	USD 12.65
158	T5781-M6X50	BOLT M6X50	3	USD 0.03	USD 0.08
159	T94.1-6	SPRING WASHER 6	3	USD 0.01	USD 0.03
160	H330500008	TRAVEL LEVER	1	USD 25.64	USD 25.64
161	H330500009	CABLE	1	USD 10.43	USD 10.43
162	H330500010	THROTTLE CONTROL	1	USD 9.40	USD 9.40
163	T94.1-6	SPRING WASHER 6	2	USD 0.00	USD 0.01
164	T5781-M6X35	BOLT M6X35	2	USD 0.02	USD 0.03
174	H330500011	PIN	1	USD 0.63	USD 0.63
175	H330500012	SPRING	1	USD 0.34	USD 0.34
176	H330500013	NUT	2	USD 0.55	USD 1.09
177	H330500014	SCREW ROD	1	USD 1.11	USD 1.11
178	H330500015	PULLING HANDLE	1	USD 0.34	USD 0.34
179	H330500016	KEY	1	USD 0.31	USD 0.31
180	H330500017	NUT	1	USD 0.55	USD 0.55
181	H330500018	THROTTLE WIRE ASSY	1	USD 2.05	USD 2.05