

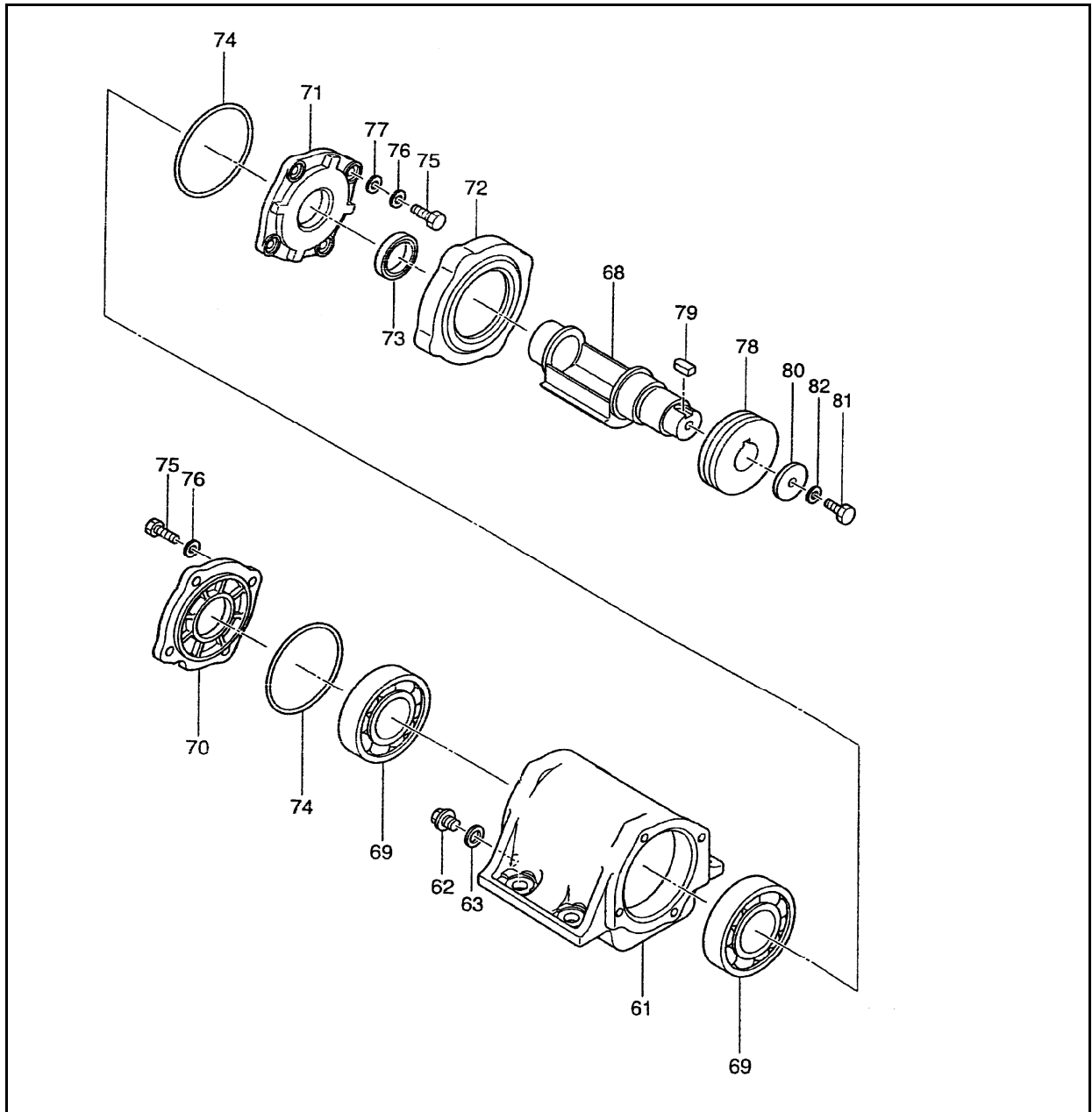
MS90 PARTS LIST 1

NOTE: ITEM NO.22 ASSEMBLY INCLUDING ITEM NO.61-82(PARTS CAN SUPPLIED SEPARATELY).

MS90 PARTS LIST 1

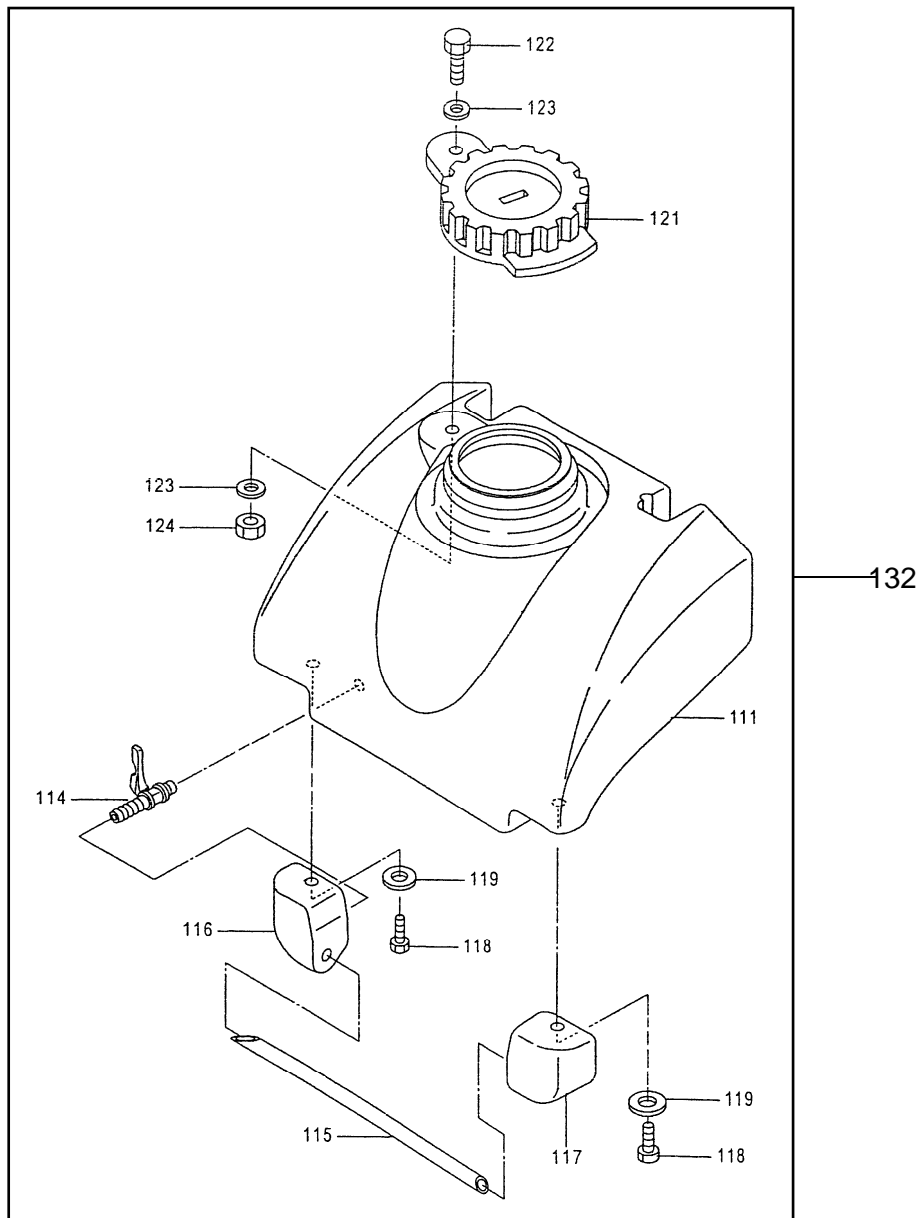
| ITEM NO. | PART NO. | DESCRIPTION | QTY | UNIT PRICE | PRICE IN SET |
|----------|-----------|-----------------------------|-----|------------|--------------|
| 21 | 153001 | BASE PLATE | 1 | USD 88.89 | USD 88.89 |
| 22 | 154000 | VIBRATOR ASSY. | 1 | USD 114.00 | USD 114.00 |
| 23 | 153002 | SHOCK ABSORBER | 4 | USD 3.42 | USD 13.68 |
| 24 | 017010 | NUT M10 - GB170 | 4 | USD 0.05 | USD 0.21 |
| 25 | 093010 | SPRING WASHER 10 - GB93 | 4 | USD 0.01 | USD 0.03 |
| 26 | 095010 | WASHER | 4 | USD 0.01 | USD 0.04 |
| 27 | 095016 | WASHER 16 - GB93 | 4 | USD 0.02 | USD 0.07 |
| 28 | 093016 | SPRING WASHER 16 - GB93 | 4 | USD 0.03 | USD 0.10 |
| 29 | 057016 | BOLT M16 X 40 - GB5783 - 86 | 4 | USD 0.68 | USD 2.74 |
| 31 | 153003 | ENGINE MOUNTING PLATE | 1 | USD 44.44 | USD 44.44 |
| 32 | 057010-30 | BOLT M10 X 30 - GB5783 | 4 | USD 0.07 | USD 0.27 |
| 33 | 093010 | SPRING WASHER 10 - GB93 | 4 | USD 0.01 | USD 0.03 |
| 34 | 095010 | WASHER 10-GB95 | 4 | USD 0.01 | USD 0.04 |
| 35 | 151000-1 | CHINESE DIESEL ENGINE | 1 | ----- | ----- |
| | 151000-2 | CHINESE PETROL ENGINE | 1 | ----- | ----- |
| | 151000-3 | ROBIN ENGINE | 1 | ----- | ----- |
| | 151000-4 | HONDA ENGINE | 1 | ----- | ----- |
| 36 | 057008-50 | BOLT M8 X 50 - GB5783 | 4 | USD 0.34 | USD 1.37 |
| 37 | 093008 | SPRING WASHER 8 - GB93 | 4 | USD 0.01 | USD 0.03 |
| 38 | 095008 | WASHER 8 - GB95 | 4 | USD 0.01 | USD 0.03 |
| 39 | 153007 | ENGINE NUT (I) | 1 | USD 1.03 | USD 1.03 |
| 40 | 153006 | ENGINE NUT (II) | 1 | USD 1.37 | USD 1.37 |
| 41 | 095008 | WASHER 8 - GB95 | 1 | USD 0.01 | USD 0.01 |
| 42 | 088006 | LOCK NUT M8 - GB889 | 1 | USD 0.10 | USD 0.10 |
| 43 | 155001 | WHEEL SHAFT (OPTIONAL) | 1 | USD 5.08 | USD 5.08 |
| 44 | 155002 | WHEEL (OPTIONAL) | 2 | USD 2.61 | USD 5.22 |
| 45 | 152000 | CLUTCH PULLEY ASSY | 1 | USD 25.64 | USD 25.64 |
| 46 | 010005 | KEY C5 X 35 | 1 | USD 0.17 | USD 0.17 |
| 47 | 152005 | CLUTCH WASHER | 1 | USD 0.26 | USD 0.26 |
| 48 | 093008 | SPRING WASHER 8 - GB93 | 1 | USD 0.01 | USD 0.01 |
| 49 | 057008-25 | BOLT M8 X 25 - GB5783 | 1 | USD 0.04 | USD 0.04 |
| 50 | 093008 | SPRING WASHER 8 - GB93 | 1 | USD 0.01 | USD 0.01 |

| | | | | | |
|-----|-----------|-----------------------------------|---|-----------|-----------|
| 51 | 011544-1 | V-BELT FOR DIESEL ENGINE | 1 | USD 4.27 | USD 4.27 |
| | 011544-2 | V-BELT FOR PETROL ENGINE | 1 | USD 4.27 | USD 4.27 |
| 52 | 153004 | INSIDE BELT COVER | 1 | USD 8.21 | USD 8.21 |
| 53 | 153005-1 | BELT COVER FOR DIESEL ENGINE | 1 | USD 14.53 | USD 14.53 |
| | 153005-2 | BELT COVER FOR PETROL ENGINE | 1 | USD 14.53 | USD 14.53 |
| 54 | 057008-20 | BOLT M8 X 20 - GB5783 | 1 | USD 0.04 | USD 0.04 |
| 55 | 093008 | SPRING WASHER 8 - GB93 | 5 | USD 0.01 | USD 0.03 |
| 56 | 095008 | WASHER 8 - GB95 | 5 | USD 0.01 | USD 0.04 |
| 57 | 057008-25 | BOLT M8 X 25 - GB5783 | 4 | USD 0.04 | USD 0.17 |
| 83 | 057006 | BOLT M6 X 30 (OPTIONAL) | 2 | USD 0.03 | USD 0.07 |
| 84 | 095006 | WASHER 6 (OPTIONAL) | 2 | USD 0.01 | USD 0.01 |
| 85 | 105001 | RUBBER CLIP (OPTIONAL) | 1 | USD 1.28 | USD 1.28 |
| 86 | 061006 | NUT M6 (OPTIONAL) | 2 | USD 0.07 | USD 0.14 |
| 87 | 155003 | RUBBER COLLAR | 4 | USD 0.68 | USD 2.74 |
| 91 | 156004 | HANDLE | 1 | USD 11.11 | USD 11.11 |
| 92 | 156003 | COLLAR | 2 | USD 0.51 | USD 1.03 |
| 93 | 156002 | RUBBER | 2 | USD 0.68 | USD 1.37 |
| 94 | 156005 | RUBBER MOUNT | 2 | USD 3.42 | USD 6.84 |
| 95 | 096012 | WASHER 12 - GB96 | 2 | USD 0.02 | USD 0.04 |
| 96 | 057012 | BOLT M12 X 65 - GB5780 | 2 | USD 0.26 | USD 0.51 |
| 97 | 093012 | SPRING WASHER 12 - GB93 | 2 | USD 0.02 | USD 0.03 |
| 101 | 155000 | GUARD HOOK | 1 | USD 19.66 | USD 19.66 |
| 102 | 057010-25 | BOLT M10 X 25 - GB5783 | 4 | USD 0.06 | USD 0.24 |
| 103 | 093010 | SPRING WASHER 10 - GB93 | 4 | USD 0.01 | USD 0.03 |
| 125 | A2004001 | THROTTLE CONTROL LEVER (OPTIONAL) | 1 | USD 2.56 | USD 2.56 |
| 126 | 156006-1 | THROTTLE CONTROL WIRE (OPTIONAL) | 1 | USD 1.03 | USD 1.03 |
| 127 | 2001002-2 | FIX STRIP (OPTIONAL) | 1 | USD 1.75 | USD 1.75 |
| 128 | 097017 | WASHER 10-GB97 (OPTIONAL) | 2 | USD 0.03 | USD 0.05 |
| 129 | 093010 | SPRING WASHER 10-GB93 (OPTIONAL) | 2 | USD 0.01 | USD 0.02 |
| 130 | 057810 | BOLT M10X45-GB5783 (OPTIONAL) | 2 | USD 0.17 | USD 0.34 |
| 131 | 2001001-2 | RUBBER MAT (OPTIONAL) | 1 | USD 19.66 | USD 19.66 |



MS90 PARTS LIST 2

| ITEM NO. | PART NO. | DESCRIPTION | QTY | UNIT PRCE | PRICE IN SET |
|----------|-----------|--------------------------|-----|-----------|--------------|
| 61 | 154009 | VIBRATING CASE | 1 | USD 44.44 | USD 44.44 |
| 62 | 154002 | PLUG SCREW | 1 | USD 0.34 | USD 0.34 |
| 63 | 154001 | PACKING PIECE | 1 | USD 0.43 | USD 0.43 |
| 68 | 154007 | ECCENTRIC ROTATOR | 1 | USD 17.95 | USD 17.95 |
| 69 | 027011 | BEARING 6211 - GB276 | 2 | USD 13.68 | USD 27.35 |
| 70 | 154008 | CASE COVER (R) | 1 | USD 4.79 | USD 4.79 |
| 71 | 154006 | CASE COVER (L) | 1 | USD 4.79 | USD 4.79 |
| 72 | 154005 | PROTECTIVE COVER | 1 | USD 3.42 | USD 3.42 |
| 73 | 098035 | OIL SEAL 35 X 8 - GB9877 | 1 | USD 2.05 | USD 2.05 |
| 74 | 034100 | O-RING 100 - GB3452.1 | 2 | USD 0.85 | USD 1.71 |
| 75 | 057008-25 | BOLT M8 X 25 - GB5783 | 8 | USD 0.04 | USD 0.34 |
| 76 | 093008 | SPRING WASHER 8 - GB93 | 8 | USD 0.01 | USD 0.05 |
| 77 | 095008 | WASHER 8 - GB95 | 8 | USD 0.01 | USD 0.07 |
| 78 | 154004 | PULLEY | 1 | USD 5.13 | USD 5.13 |
| 79 | 010008 | KEY C8 - GB1096 | 1 | USD 0.17 | USD 0.17 |
| 80 | 154003 | PULLEY WASHER | 1 | USD 0.34 | USD 0.34 |
| 81 | 057010-25 | BOLT M10 X 25-GB5783 | 1 | USD 0.06 | USD 0.06 |
| 82 | 093010 | SPRING WASHER10-GB93 | 1 | USD 0.01 | USD 0.01 |



NOTE: ITEM NO.132 ASSEMBLY INCLUDING ITEM NO.111-124,ITEM NO.111-124 CAN SUPPLIED SEPARATELY.

MS90 PARTS LIST 3

| ITEM NO. | PART NO. | DESCRIPTION | QTY | UNIT PRCE | PRICE IN SET |
|----------|-----------|------------------------|-----|-----------|--------------|
| 111 | 157001 | WATER TANK | 1 | USD 10.34 | USD 10.34 |
| 114 | 157007 | COCK | 1 | USD 0.44 | USD 0.44 |
| 115 | 157004 | SPRINKLING PIPE | 1 | USD 0.44 | USD 0.44 |
| 116 | 157003 | PIPE HOLDER (L) | 1 | USD 1.29 | USD 1.29 |
| 117 | 157005 | PIPE HOLDER (R) | 1 | USD 1.29 | USD 1.29 |
| 118 | 057008-30 | BOLT M8 X 30 - GB5783 | 2 | USD 0.05 | USD 0.10 |
| 119 | 095008 | WASHER8-GB95 | 5 | USD 0.01 | USD 0.04 |
| 121 | 157002 | CAP WATER TANK | 1 | USD 1.79 | USD 1.79 |
| 122 | 057010-30 | BOLT M10 X 30 - GB5783 | 1 | USD 0.07 | USD 0.07 |
| 123 | 095010 | WASHER10 - GB95 | 2 | USD 0.01 | USD 0.02 |
| 124 | 017010 | NYLON NUT M10 - GB170 | 1 | USD 0.05 | USD 0.05 |
| 132 | 157000 | WATER TANK ASSY | 1 | USD 15.87 | USD 15.87 |