

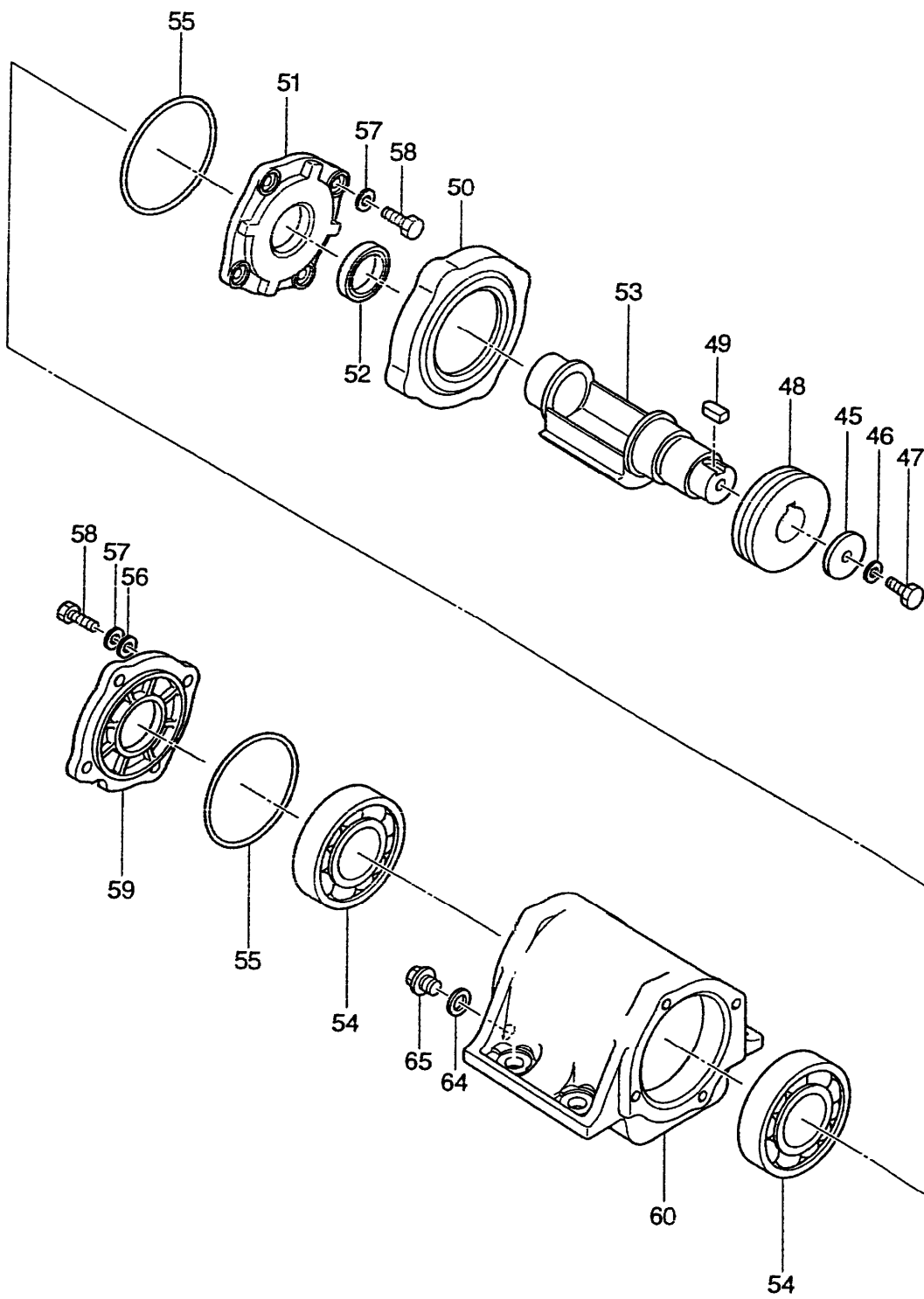
MS60 PARTS LIST 1

NOTE: ITEM NO.3 ASSEMBLY INCLUDING ITEM NO.45-65(PARTS CAN SUPPLIED SEPARATELY)

MS60 PARTS LIST 1

ITEM NO.	PART NO.	DESCRIPTION	QTY	UNIT PRICE	PRICE IN SET
1	103100	SHOCK ABSORBER	4	USD 2.74	USD 10.94
2	103000	BASE PLATE	1	USD 50.60	USD 50.60
3	104000	VIBRATOR ASSY	1	USD 87.30	USD 87.30
4	095016	WASHER 16-GB93	4	USD 0.02	USD 0.07
5	093016	SPRING WASHER 16-GB93	4	USD 0.03	USD 0.10
6	057016-40	BOLT M16 X 40 - GB5783-86	4	USD 0.68	USD 2.74
7	105100	ENGINE NUT	2	USD 1.03	USD 2.05
8	105000	ENGINE MOUNTING PLATE WITH WHEEL PLATE	1	USD 14.53	USD 14.53
	105000-1	ENGINE MOUNTING PLATE WITHOUT WHEEL PL	1	USD 14.53	USD 14.53
9	106100	CUSHION PAD	2	USD 0.85	USD 1.71
10	095010	WASHER 10 - GB95	2	USD 0.01	USD 0.02
11	093010	SPRING WASHER 10-GB93	2	USD 0.01	USD 0.02
12	061010	NUT M10 - GB6170	2	USD 0.07	USD 0.14
13	095010	WASHER 10 - GB95	8	USD 0.01	USD 0.08
14	093010	SPRING WASHER 10 - GB93	8	USD 0.01	USD 0.07
15	061010	NUT M10 - GB6170	8	USD 0.07	USD 0.55
16	089013	CIRCLIP FOR SHAFT 13 - GB894	2	USD 0.17	USD 0.34
17	108000	WHEEL ASSY	1	USD 5.98	USD 5.98
18	010005	KEY	1	USD 0.26	USD 0.26
19	101000-1	HONDA ENGINE	1	-----	-----
	101000-2	ROBIN ENGINE	1	-----	-----
20	095008	WASHER 8 - GB95	4	USD 0.01	USD 0.03
21	093008	SPRING WASHER 8-GB93	4	USD 0.01	USD 0.03
22	057008-40	BOLT M8 X 40 - GB5783	4	USD 0.05	USD 0.21
23	106000	FOLDABLE HANDLE ASSY.	1	USD 11.62	USD 11.62
24	106007	KNOB	2	USD 0.43	USD 0.85
25	057008-25	BOLT M8 X 25 - GB5783	9	USD 0.04	USD 0.38

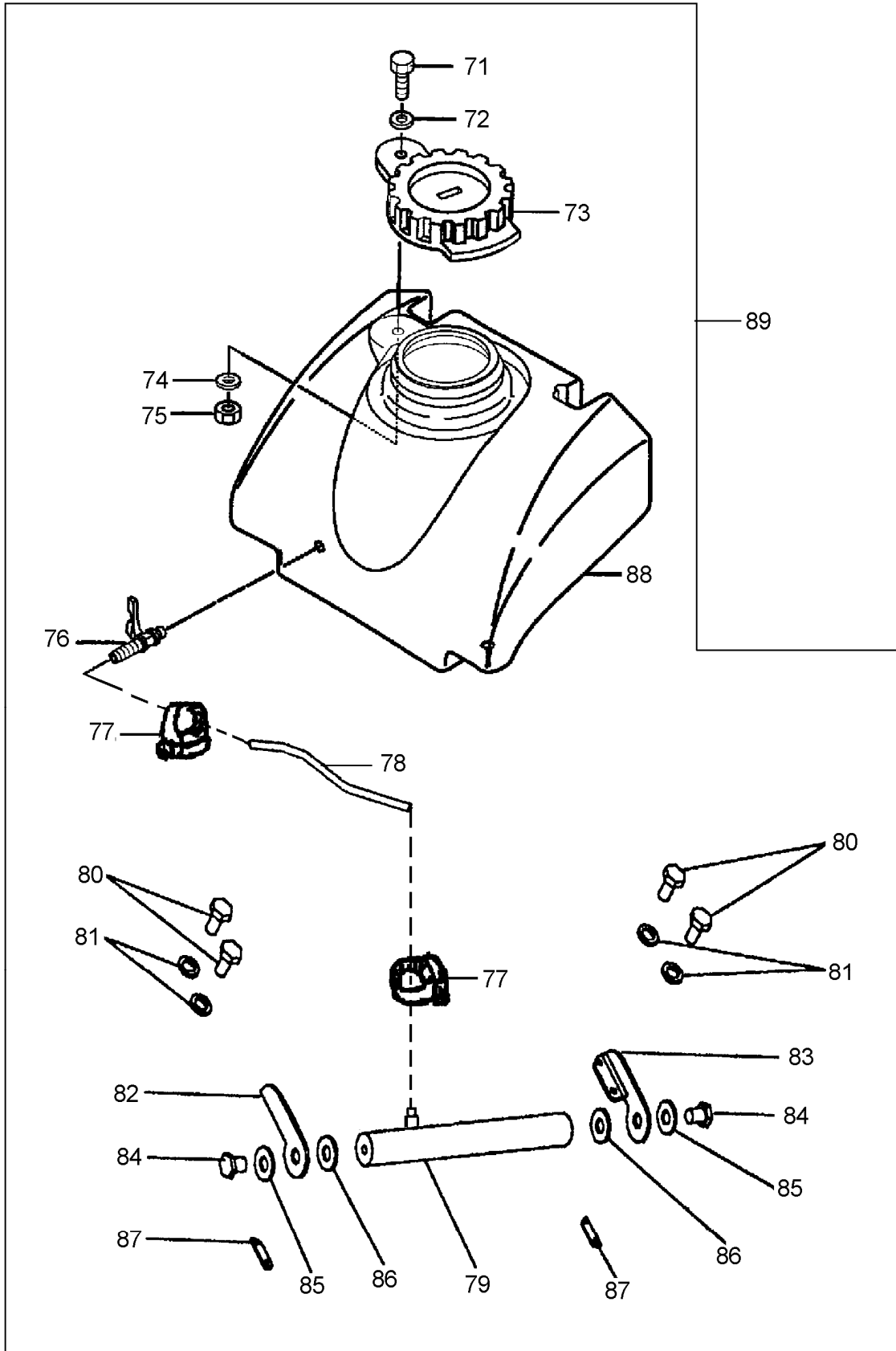
26	093012	SPRING WASHER 12 - GB93	12	USD 0.02	USD 0.21
27	096012	WASHER 12 - GB96	12	USD 0.03	USD 0.31
28	106002	RUBBER MOUNT	2	USD 0.68	USD 1.37
29	106003	COLLAR	2	USD 0.51	USD 1.03
30	057012	BOLT M12 x 55-GB5782	2	USD 0.26	USD 0.51
31	152001	CLUTCH CENTRE	1	USD 0.34	USD 0.34
32	152000	CLUTCH PULLEY ASSY.	1	USD 25.64	USD 25.64
33	152005	CLUTCH WASHER	1	USD 0.09	USD 0.09
34	093008	SPRING WASHER 8-GB93	1	USD 0.01	USD 0.01
35	057008-25	BOLT M8 X 25 - GB5783	1	USD 0.04	USD 0.04
36	107001	INSIDE BELT COVER	1	USD 7.69	USD 7.69
37	011544	V-BELT SPA - GB11544	1	USD 3.08	USD 3.08
38	107000	BELT COVER	1	USD 8.21	USD 8.21
39	095008	WASHER 8 - GB95	3	USD 0.01	USD 0.03
40	093008	SPRING WASHER 8-GB93	3	USD 0.01	USD 0.02
41	057008-16	BOLT M8 X 16 - GB5783	3	USD 0.03	USD 0.10
42	108100	WHEEL SHAFT	1	USD 1.03	USD 1.03
44	061010	NUT M10 - GB6170	2	USD 0.07	USD 0.14
66	057006	BOLT M6 X 30	4	USD 0.03	USD 0.14
68	105001	RUBBER CLIP	2	USD 1.62	USD 3.25
69	061006	NUT M6	1	USD 0.05	USD 0.05
70	105002	CLIP PLATE	4	USD 0.17	USD 0.68
90	101100	PROTECTIVE FRAME (OPTIONAL)	1	USD 7.69	USD 7.69
91	108001	WHEEL SHAFT	1	USD 5.08	USD 5.08
92	108002	WHEEL	2	USD 2.61	USD 5.22
93	105003	NUT STRIP	1	USD 1.37	USD 1.37
94	103001	RUBBER MAT (OPTIONAL)	1	USD 28.21	USD 28.21
95	103002	FIX STRIP (OPTIONAL)	1	USD 2.56	USD 2.56
96	057010-	BOLT M10X40-GB5783 (OPTIONAL)	3	USD 0.09	USD 0.26
97	093010	SPRING WASHER 10-GB93 (OPTIONAL)	3	USD 0.01	USD 0.03
98	095010	WASHER10 - GB95 (OPTIONAL)	6	USD 0.01	USD 0.06
99	A2004001-1	THROTTLE CONTROL LEVER (OPTIONAL)	1	USD 2.56	USD 2.56
100	1560006-2	THROTTLE CONTROL WIRE (OTIONAL)	1	USD 0.85	USD 0.85



MS60 PARTS LIST 2

MS60 PARTS LIST 2

ITEM NO.	PART NO.	DESCRIPTION	QTY	UNIT PRICE	PRICE IN SET
45	154003	WASHER	1	USD 0.17	USD 0.17
46	093010	SPRING WASHER 10 - GB93	1	USD 0.01	USD 0.01
47	057010-25	BOLT M10 x 25-GB5783	1	USD 0.06	USD 0.06
48	154004-1	PULLEY FOR HONDA ENGINE	1	USD 5.13	USD 5.13
	154004-2	PULLEY FOR ROBIN ENGINE	1	USD 5.13	USD 5.13
49	040008	KEY C8-GB1096	1	USD 0.17	USD 0.17
50	154005	PROTECTIVE COVER	1	USD 3.76	USD 3.76
51	154006	CASE COVER (L)	1	USD 3.42	USD 3.42
52	098035	OIL SEAL 35 x 8-GB9877	1	USD 1.37	USD 1.37
53	104007	ECCENTRIC ROTATOR	1	USD 12.31	USD 12.31
54	027011	BEARING 6211-GB276	2	USD 11.62	USD 23.25
55	034100	O-RING 100-GB3452.1	2	USD 0.43	USD 0.85
56	095008	WASHER 8-GB95	8	USD 0.01	USD 0.07
57	093008	SPRING WASHER 8 - GB93	8	USD 0.01	USD 0.05
58	057008-25	BOLT M8 X 25 - GB5783	8	USD 0.04	USD 0.34
59	154008	CASE COVER (R)	1	USD 3.42	USD 3.42
60	154009	VIBRATING CASE	1	USD 34.24	USD 34.24
61	095016	WASHER 16 - GB95	4	USD 0.02	USD 0.07
62	093016	SPRING WASHER 16 - GB93	4	USD 0.03	USD 0.10
63	057016	BOLT M16 X 35 - GB5783	4	USD 0.68	USD 2.74
64	154001	PACKING PIECE	1	USD 0.17	USD 0.17
65	154002	PLUG SCREW	1	USD 0.34	USD 0.34



MS60 PARTS LIST 3

MS60 PARTS LIST 3

ITEM NO.	PART NO.	DESCRIPTION	QTY	UNIT PRICE	PRICE IN SET
71	0081800	BOLT M10X30-GB818	1	USD 0.11	USD 0.11
72	0097010	WASHER 10-GB97.1	1	USD 0.01	USD 0.01
73	A2008005-1	CAP OF WATER TANK	1	USD 2.83	USD 2.83
74	0097010	WASHER 10-GB97.1	1	USD 0.01	USD 0.01
75	0088910	NUT M10-GB889	1	USD 0.17	USD 0.17
76	A2008007-1	COCK	1	USD 0.57	
77	A2008003-1	CLIP HOOP	1	USD 0.28	USD 0.28
78	A2008008	HOSE ϕ 10X100	1	USD 0.17	USD 0.17
79	A2008009-1	SPRING PIPE	1	USD 1.13	USD 1.13
80	0070008	BOLT M8X16-GB70	4	USD 0.09	USD 0.34
81	0093008	SPRING WASHER8-GB93	4	USD 0.01	USD 0.03
82	A2008010	PIPE HOLDER (L.)	1	USD 0.34	USD 0.34
83	A2008011	PIPE HOLDER (R.)	1	USD 0.34	USD 0.34
84	0057838	BOLT M8X16-GB5783	2	USD 0.06	USD 0.11
85	0093008	SPRING WASHER8-GB93	2	USD 0.01	USD 0.01
86	A2008012	SEAT PACKING	2	USD 0.06	USD 0.11
87	A2008013	RUBBER WASHER	2	USD 0.06	USD 0.11
88	A2008006-1	WATER TANK	1	USD 8.50	USD 8.50
89	2008014	WATER TANK ASSY. (OPTIONAL)	1	USD 15.54	USD 15.54